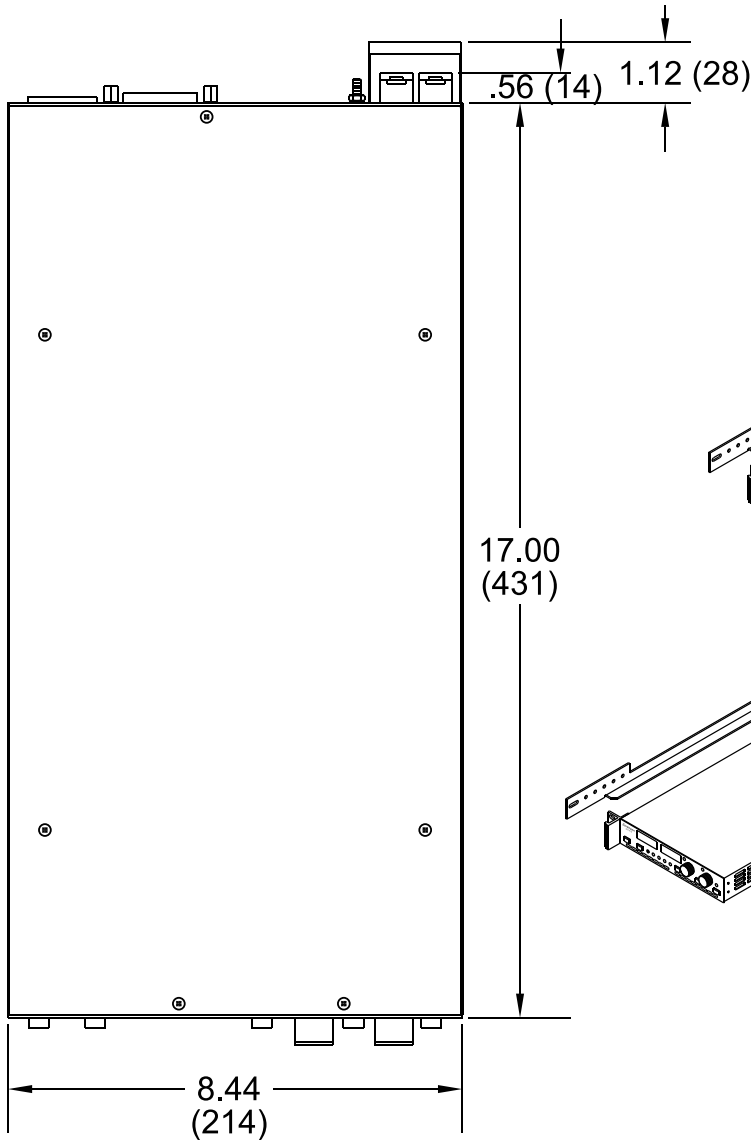
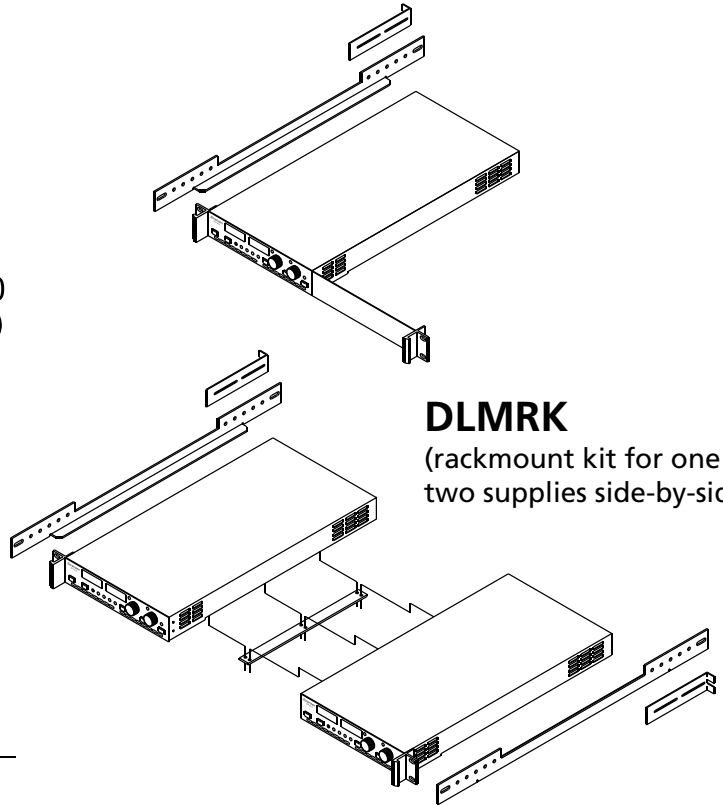


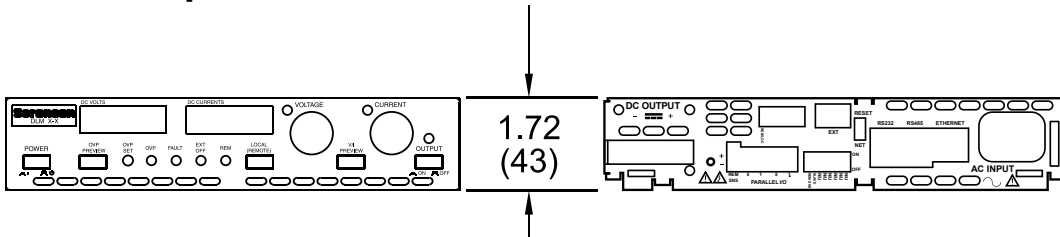
DLM 600 Series : Product Diagram



Top View



DLMRK
(rackmount kit for one or two supplies side-by-side)



Front View

Rear View

Dimensions in inches (millimeters)

*80V, 150V and 300V models have two position terminal blocks for the output

**M6 Options 20" (508 MM).