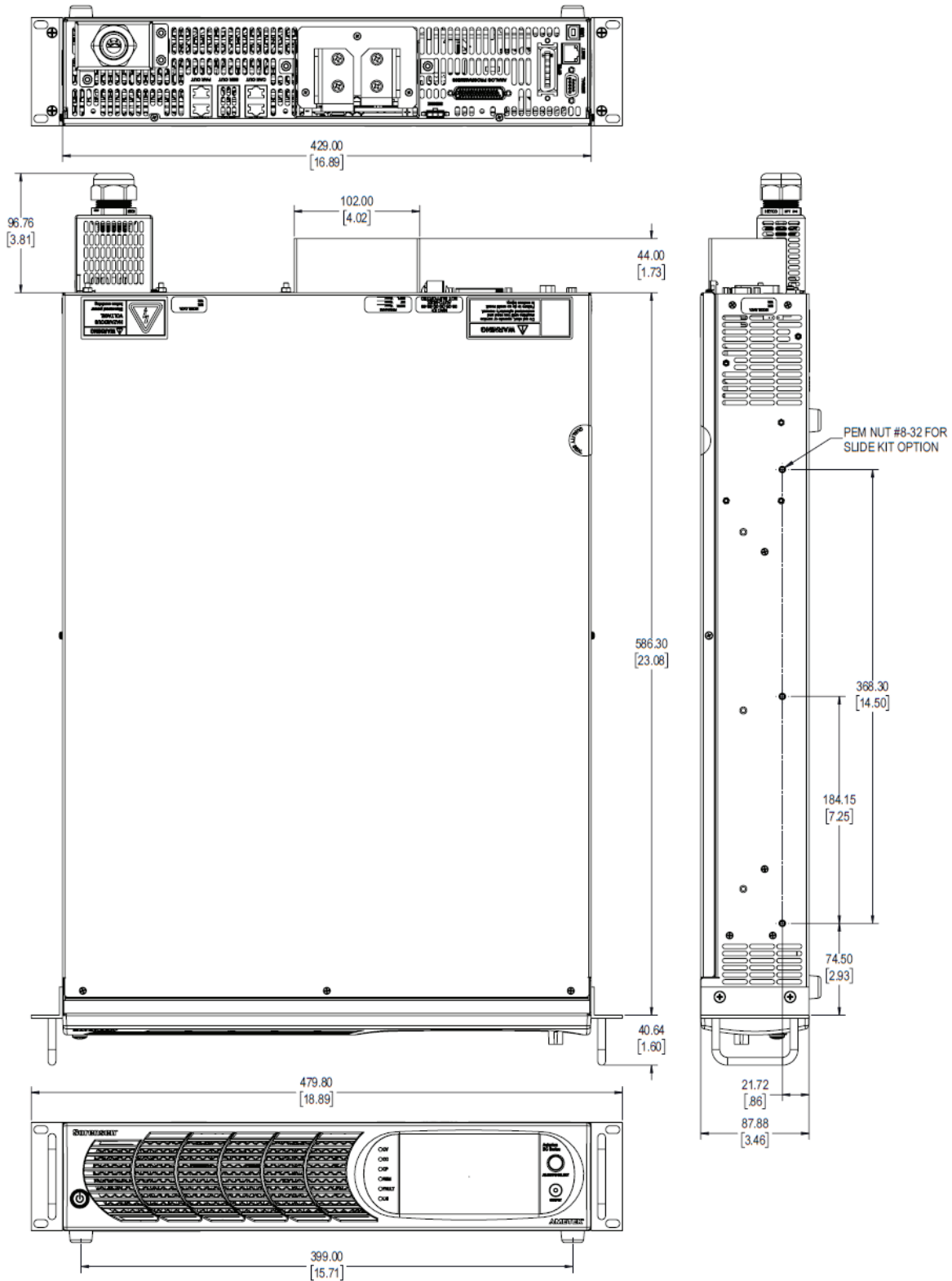
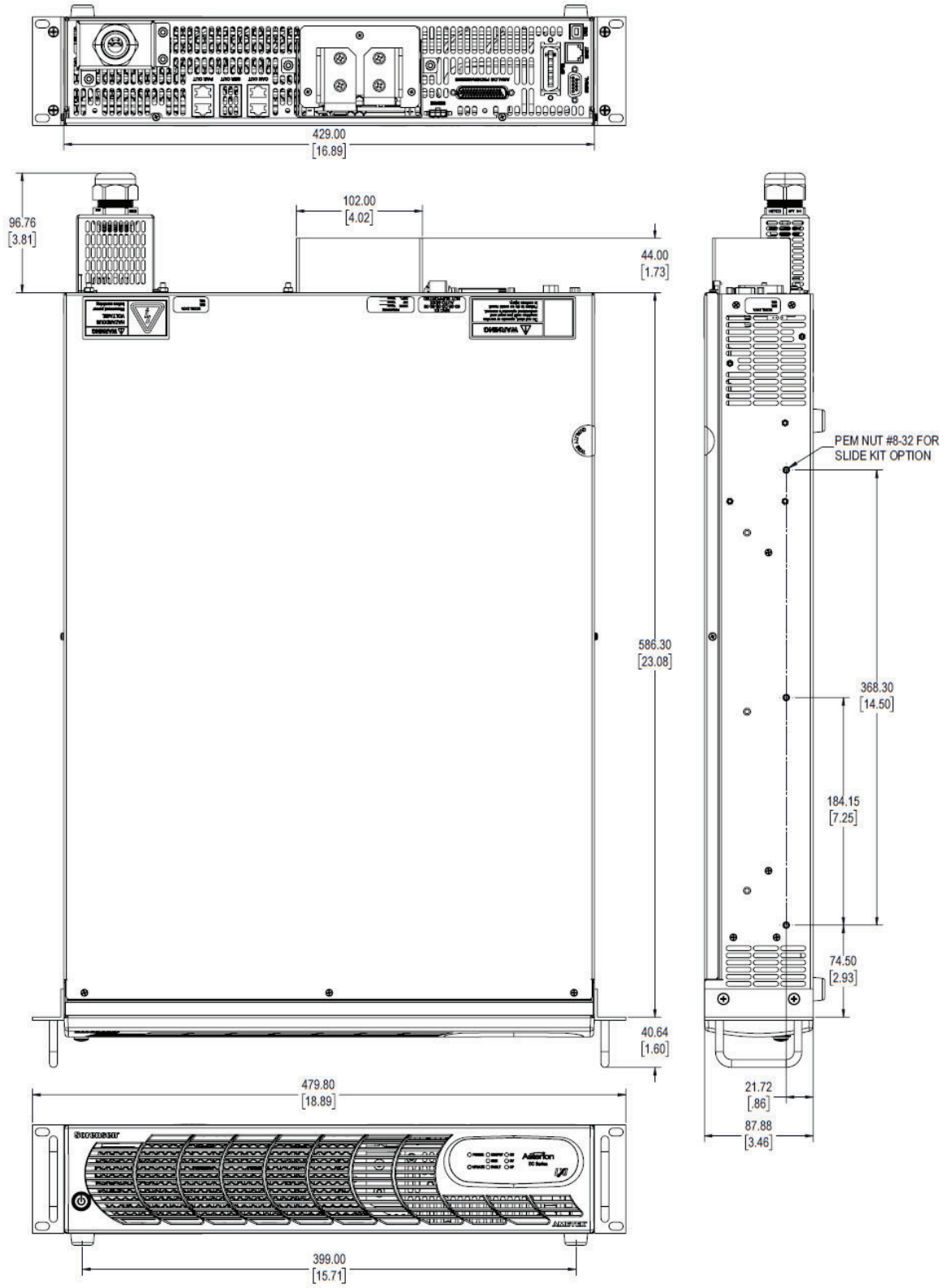


Chassis Dimension Drawings (2U)



Installation Drawing, Enhanced Front Panel Version, Asterion DC Series 2U Models

Chassis Dimension Drawings (2U)



Installation Drawing, Asterion DC Series 2U Models