



**Sorensen**  
Internal RS-232 Interface  
for XT/HPD Series  
Programmable DC Power Supplies  
Operation Manual

RS232-XT  
RS232-HPD



## **About AMETEK**

AMETEK Programmable Power, Inc., a Division of AMETEK, Inc., is a global leader in the design and manufacture of precision, programmable power supplies for R&D, test and measurement, process control, power bus simulation and power conditioning applications across diverse industrial segments. From bench top supplies to rack-mounted industrial power subsystems, AMETEK Programmable Power is the proud manufacturer of Elgar, Sorensen, California Instruments and Power Ten brand power supplies.

AMETEK, Inc. is a leading global manufacturer of electronic instruments and electromechanical devices with annualized sales of \$2.5 billion. The Company has over 11,000 colleagues working at more than 80 manufacturing facilities and more than 80 sales and service centers in the United States and around the world.

## **Trademarks**

AMETEK is a registered trademark of AMETEK, Inc. Sorensen is a trademark owned by AMETEK, Inc. Other trademarks, registered trademarks, and product names are the property of their respective owners and are used herein for identification purposes only.

## **Notice of Copyright**

*Internal RS-232 Interface for XT/HPD Series Programmable DC Power Supplies Operation Manual*  
© 2007 AMETEK Programmable Power, Inc. All rights reserved.

## **Exclusion for Documentation**

UNLESS SPECIFICALLY AGREED TO IN WRITING, AMETEK PROGRAMMABLE POWER, INC. ("AMETEK"):

- (a) MAKES NO WARRANTY AS TO THE ACCURACY, SUFFICIENCY OR SUITABILITY OF ANY TECHNICAL OR OTHER INFORMATION PROVIDED IN ITS MANUALS OR OTHER DOCUMENTATION.
- (b) ASSUMES NO RESPONSIBILITY OR LIABILITY FOR LOSSES, DAMAGES, COSTS OR EXPENSES, WHETHER SPECIAL, DIRECT, INDIRECT, CONSEQUENTIAL OR INCIDENTAL, WHICH MIGHT ARISE OUT OF THE USE OF SUCH INFORMATION. THE USE OF ANY SUCH INFORMATION WILL BE ENTIRELY AT THE USER'S RISK, AND
- (c) REMINDS YOU THAT IF THIS MANUAL IS IN ANY LANGUAGE OTHER THAN ENGLISH, ALTHOUGH STEPS HAVE BEEN TAKEN TO MAINTAIN THE ACCURACY OF THE TRANSLATION, THE ACCURACY CANNOT BE GUARANTEED. APPROVED AMETEK CONTENT IS CONTAINED WITH THE ENGLISH LANGUAGE VERSION, WHICH IS POSTED AT [WWW.PROGRAMMABLEPOWER.COM](http://WWW.PROGRAMMABLEPOWER.COM).

## **Date and Revision**

February 2009 Revision C

## **Part Number**

TM-RS6H-01XN



## **Contact Information**

Telephone: 800 733 5427 (toll free in North America)  
858 450 0085 (direct)  
Fax: 858 458 0267  
Email: [sales@programmablepower.com](mailto:sales@programmablepower.com)  
[service@programmablepower.com](mailto:service@programmablepower.com)  
Web: [www.programmablepower.com](http://www.programmablepower.com)

This page intentionally left blank.

# Important Safety Instructions

Before applying power to the system, verify that your product is configured properly for your particular application.

	<b>Hazardous voltages may be present when covers are removed. Qualified personnel must use extreme caution when servicing this equipment. Circuit boards, test points, and output voltages also may be floating above (below) chassis ground.</b>
	<b>The equipment used contains ESD sensitive parts. When installing equipment, follow ESD Safety Procedures. Electrostatic discharges might cause damage to the equipment.</b>

Only *qualified personnel* who deal with attendant hazards in power supplies, are allowed to perform installation and servicing.

Ensure that the AC power line ground is connected properly to the Power Rack input connector or chassis. Similarly, other power ground lines including those to application and maintenance equipment *must* be grounded properly for both personnel and equipment safety.


Always ensure that facility AC input power is de-energized prior to connecting or disconnecting any cable.

In normal operation, the operator does not have access to hazardous voltages within the chassis. However, depending on the user's application configuration, **HIGH VOLTAGES HAZARDOUS TO HUMAN SAFETY** may be normally generated on the output terminals. The customer/user must ensure that the output power lines are labeled properly as to the safety hazards and that any inadvertent contact with hazardous voltages is eliminated.


Guard against risks of electrical shock during open cover checks by not touching any portion of the electrical circuits. Even when power is off, capacitors may retain an electrical charge. Use safety glasses during open cover checks to avoid personal injury by any sudden component failure.


Neither AMETEK Programmable Power Inc., San Diego, California, USA, nor any of the subsidiary sales organizations can accept any responsibility for personnel, material or inconsequential injury, loss or damage that results from improper use of the equipment and accessories.

## SAFETY SYMBOLS

 **WARNING**  
Risk of Electrical Shock


 **CAUTION**  
Refer to Accompanying Documents


 Off (Supply)

 Direct Current (DC)

 Standby (Supply)

 Alternating Current (AC)

 On (Supply)

 Three-Phase Alternating Current

 Protective Conductor Terminal

 Earth (Ground) Terminal

 Fuse

 Chassis Ground

This page intentionally left blank.

**Product Family: Internal RS-232 Interface for XT/HPD Series Programmable  
DC Power Supplies**

**Warranty Period: Five Years**

**WARRANTY TERMS**

AMETEK Programmable Power, Inc. ("AMETEK"), provides this written warranty covering the Product stated above, and if the Buyer discovers and notifies AMETEK in writing of any defect in material or workmanship within the applicable warranty period stated above, then AMETEK may, at its option: repair or replace the Product; or issue a credit note for the defective Product; or provide the Buyer with replacement parts for the Product.

The Buyer will, at its expense, return the defective Product or parts thereof to AMETEK in accordance with the return procedure specified below. AMETEK will, at its expense, deliver the repaired or replaced Product or parts to the Buyer. Any warranty of AMETEK will not apply if the Buyer is in default under the Purchase Order Agreement or where the Product or any part thereof:

- is damaged by misuse, accident, negligence or failure to maintain the same as specified or required by AMETEK;
- is damaged by modifications, alterations or attachments thereto which are not authorized by AMETEK;
- is installed or operated contrary to the instructions of AMETEK;
- is opened, modified or disassembled in any way without AMETEK's consent; or
- is used in combination with items, articles or materials not authorized by AMETEK.

The Buyer may not assert any claim that the Products are not in conformity with any warranty until the Buyer has made all payments to AMETEK provided for in the Purchase Order Agreement.

**PRODUCT RETURN PROCEDURE**

1. Request a Return Material Authorization (RMA) number from the repair facility (**must be done in the country in which it was purchased**):
  - **In the USA**, contact the AMETEK Repair Department prior to the return of the product to AMETEK for repair:  
Telephone: 800-733-5427, ext. 2295 or ext. 2463 (toll free North America)  
858-450-0085, ext. 2295 or ext. 2463 (direct)
  - **Outside the United States**, contact the nearest Authorized Service Center (ASC). A full listing can be found either through your local distributor or our website, [www.programmablepower.com](http://www.programmablepower.com), by clicking Support and going to the Service Centers tab.
2. When requesting an RMA, have the following information ready:
  - Model number
  - Serial number
  - Description of the problem

**NOTE:** Unauthorized returns will not be accepted and will be returned at the shipper's expense.

**NOTE:** A returned product found upon inspection by AMETEK, to be in specification is subject to an evaluation fee and applicable freight charges.

This page intentionally left blank.



# About This Manual

This technical manual is for the RS-232 Interface, a microprocessor-controlled option card for all models of XT and HPD Series DC output power supplies. This manual provides you with specifications, user options, and configuration instructions for the interface, along with a command set which allows you to control your power supply from a computer console. Error messages and calibration procedures are also included.

This manual is designed for the user who is familiar with basic electrical theory especially as it applies to the operation of power supplies. This implies a recognition of Constant Voltage and Constant Current operation modes and the control of input and output power, as well as the observance of safe techniques while effecting supply or pin connections and any changes in switch settings. The user should also have experience with a computer-based communications software package.

Refer to your power supply manual for installation, configuration, and operating procedures for your power supply.

## Main Sections

**Section 1 Features and Specifications** Describes the interface and lists its features and specifications.

**Section 2 Installation and Configuration** Gives basic setup procedures. Describes inspection, cleaning, shipping, and storage procedures.

**Section 3 Operation** Lists the complete command set, status registers, and error codes.

**Section 4 Calibration** Provides detailed procedures for voltage and current mode calibration as well as over voltage protection (OVP) calibration. Includes calibration for programming and readback accuracy.

# Contents

	About This Manual . . . . .	vii
<b>Section 1. Features and Specifications</b>	Description . . . . .	11
	Features and Functions . . . . .	12
	Features . . . . .	12
	Programmable Functions . . . . .	12
	Readback Functions . . . . .	12
	Specifications . . . . .	13
<b>Section 2. Installation and Configuration</b>	Introduction . . . . .	15
	Initial Inspection . . . . .	15
	Basic Setup Procedure . . . . .	19
	Communications . . . . .	21
	Baud Rate Selection . . . . .	21
	Flow Control Selection . . . . .	22
	Software Flow Control . . . . .	22
	Hardware Flow Control . . . . .	23
	Connections . . . . .	24
	Transmit / Receive Pin Selection . . . . .	24
	Removing the cover . . . . .	24
	Remote/Local Operation . . . . .	25
	Remote / Local Switch . . . . .	25
	LOC Command . . . . .	25
	Local Mode Disable Jumper J95 . . . . .	25
	Remote Mode Operation . . . . .	26
	Local Mode Operation . . . . .	26
	RS-232 Connection . . . . .	27
	Power Supply Settings . . . . .	28
	User Options and Settings . . . . .	29
	OVP Selection . . . . .	29
TTL Shutdown . . . . .	30	
User Signals . . . . .	31	
Connector J7 User Signals . . . . .	31	
J7 Cable Connection . . . . .	32	
<b>Section 3. Operation</b>	Introduction . . . . .	35
	RS-232 Operation . . . . .	35
	Command Syntax . . . . .	35
	Manual Conventions . . . . .	35
	Command Format and Parameters . . . . .	36
	Command Strings . . . . .	38
	Command Terminators . . . . .	38
Order . . . . .	38	

## Contents

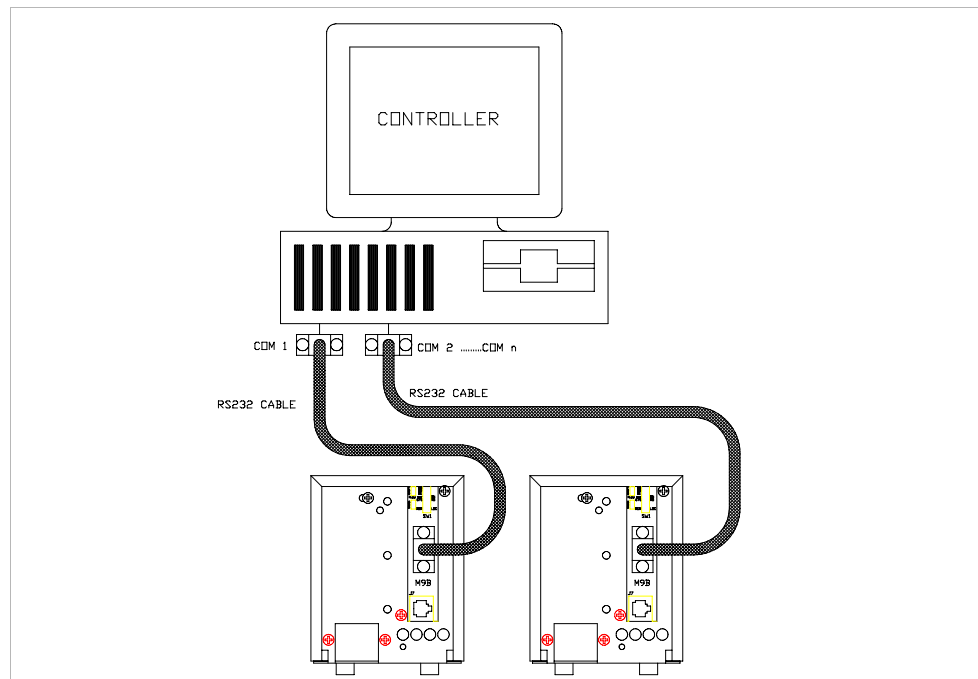
Command Summary . . . . .	39
Command Reference . . . . .	42
Accumulated Status, Status, and Fault Registers . . . . .	49
Error Codes . . . . .	51
Troubleshooting . . . . .	52
Diagnostic LEDs . . . . .	52
<b>Section 4.</b> Introduction . . . . .	53
<b>Calibration</b> Voltage Mode Calibration . . . . .	54
Voltage Calibration Setup . . . . .	54
Voltage Program Calibration Procedure . . . . .	54
Voltage Readback Calibration Procedure . . . . .	55
Current Mode Calibration . . . . .	56
Current Calibration Setup . . . . .	56
Current Program Calibration Procedure . . . . .	56
Current Readback Calibration Procedure . . . . .	57
Over Voltage Protection (OVP) Calibration . . . . .	58

# Section 1. Features and Specifications

## Description

The RS-232 Interface is a microprocessor-controlled option card for all models of the XT and HPD Series of DC output power supply. Installed internally, the RS-232 interface card gives you remote digital control of simple test systems. It features fast, 16-bit resolution for programming and readback and uses bit serial protocol for sending data between the computer and the interface. The RS-232 interface has an extensive command set and uses most of the user-programmable features employed by all of our interfaces.

In addition to the RS-232 port and its interface, this remote control application requires a computer-based communications software package such as PROCOMM, XTALK, Windows Terminal Program, equivalent communications software, or low level or high level language programs. The RS-232 interface is an ideal tool for reliable, remote power supply control of both research and development applications.



**Figure 1.1** Sample Configuration using RS-232 Interface

## Features and Specifications

### Features and Functions

## Features and Functions

- Features**
- 16-bit programming and readback of voltage and current
  - Programmable over voltage protection with reset
  - Easy-to-use, self-documenting command set
  - User-programmable isolated fault, polarity, isolation, and auxiliary, user-defined output signals.
  - LED status signals: error, address, remote/local operation, and over voltage protection.
  - Foldback in CV or CC mode with reset
  - Software calibration

- Programmable Functions**
- Output voltage and current
  - Soft limits for voltage and current
  - Over voltage protection
  - Output enable/disable
  - Maskable fault interrupt
  - Hold and trigger
  - Output relay signals

- Readback Functions**
- Actual voltage and current
  - Voltage and current settings
  - Soft voltage and current limits
  - Over voltage protection setting
  - Present and accumulated power supply status
  - Programming error codes
  - Fault codes
  - Power supply model and software version identification

## Specifications

The specifications in this section are warranted at 25°C ±5°C unless otherwise specified. All specifications are subject to change without notice.

**Table 1.1** Specifications for XT 60 W Series Supply with RS-232 Interface Installed

<b>Models</b>	<b>7-6</b>	<b>15-4</b>	<b>20-3</b>	<b>30-2</b>	<b>60-1</b>	<b>120-0.5</b>	<b>250-0.25</b>
<b>Program Resolution</b>							
Voltage	1.1mV	2.4mV	3.1mV	4.7mV	9.3mV	17mV	34mV
Current	1.0mA	0.6mA	0.5mA	0.3mA	0.2mA	0.1mA	0.08mA
OVP	1.0mV	2.4mV	3.1mV	4.7mV	9.3mV	17mV	34mV
<b>Program Accuracy<sup>1</sup></b>							
Voltage	10mV	20mV	20mV	30mV	200mV	400mV	800mV
	±0.1%	±0.1%	±0.15%	±0.15%	±0.15%	±0.15%	±0.15%
Current	110mA	70mA	50mA	40mA	26mA	13mA	7mA
	±0.15%	±0.15%	±0.15%	±0.15%	±0.2%	±0.2%	±0.2%
OVP	70mV	150mV	200mV	300mV	600mV	1.2V	2.4V
<b>Readback Resolution</b>							
Voltage	1.1mV	2.4mV	3.1mV	4.7mV	9.3mV	17mV	34mV
Current	1.0mA	0.6mA	0.5mA	0.3mA	0.2mA	0.1mA	0.08mA
<b>Readback Accuracy<sup>1</sup></b>							
Voltage	10mV	10mV	10mV	15mV	35mV	70mV	140mV
	±0.15%	±0.1%	±0.1%	±0.1%	±0.15%	±0.15%	±0.15%
Current	110mA	70mA	50mA	40mA	26mA	13mA	7mA
	±0.15%	±0.15%	±0.15%	±0.15%	±0.2%	±0.2%	±0.2%

- Apply accuracy specifications according to the following voltage program accuracy example:  
Set a model XT 15-4 power supply to 10 volts.  
The expected result will be within the range of 10 volts ± 20mV ± 0.1% of the set voltage of 10 volts.

## Features and Specifications

### Specifications

**Table 1.2** Specifications for HPD 300 W Series Supply with RS-232 Interface Installed

<b>Models</b>	<b>15-20</b>	<b>30-10</b>	<b>60-5</b>
<b>Program Resolution</b>			
Voltage	2.4mV	4.7mV	9.3mV
Current	2.8mA	1.4mA	0.7mA
OVP	2.4mV	4.7mV	9.3mV
<b>Program Accuracy<sup>1</sup></b>			
Voltage	60mV	70mV	90mV
	±0.1%	±0.1%	±0.12%
Current	75mA	50mA	25mA
	±0.12%	±0.12%	±0.1%
OVP	150mV	300mV	600mV
<b>Readback Resolution</b>			
Voltage	2.4mV	4.7mV	9.3mV
Current	2.8mA	1.4mA	0.7mA
<b>Readback Accuracy<sup>1</sup></b>			
Voltage	45mV	90mV	175mV
	±0.3%	±0.3%	±0.3%
Current	75mA	40mA	25mA
	±0.12%	±0.12%	±0.1%

1. Apply accuracy specifications according to the following voltage program accuracy example:  
Set a model HPD 15-20 power supply to 10 volts.  
The expected result will be within the range of 10 volts  $\pm$  20mV  $\pm$  0.1% of the set voltage of 10 volts.

# Section 2. Installation and Configuration

## Introduction

To use this product, you must have the following equipment:

- a compatible model of DC output power supply
- serial extender cable (straight through)
- computer with an RS-232 interface (serial port)
- computer-based communications software package

The RS-232 interface is usually installed at the factory. Your local distributor or service center can also install the interface, especially for use in a previously-purchased supply already on site. The RS-232 interface card will be calibrated and configured with default settings. You will need to configure the supply for your system using the “Basic Setup Procedure” on page 19. Refer also to Figure 2.1, on page 16, Figure 2.2, on page 16 and Figure 2.3, on page 17 for drawings of the front panel, the interface subplate, and the RS-232 interface printed circuit board (PCB).

## Initial Inspection



### CAUTION

If you remove the unit's cover, use proper static control techniques to avoid damage to static-sensitive components on the printed circuit board.

---

On first receiving your unit, perform a quick physical check.

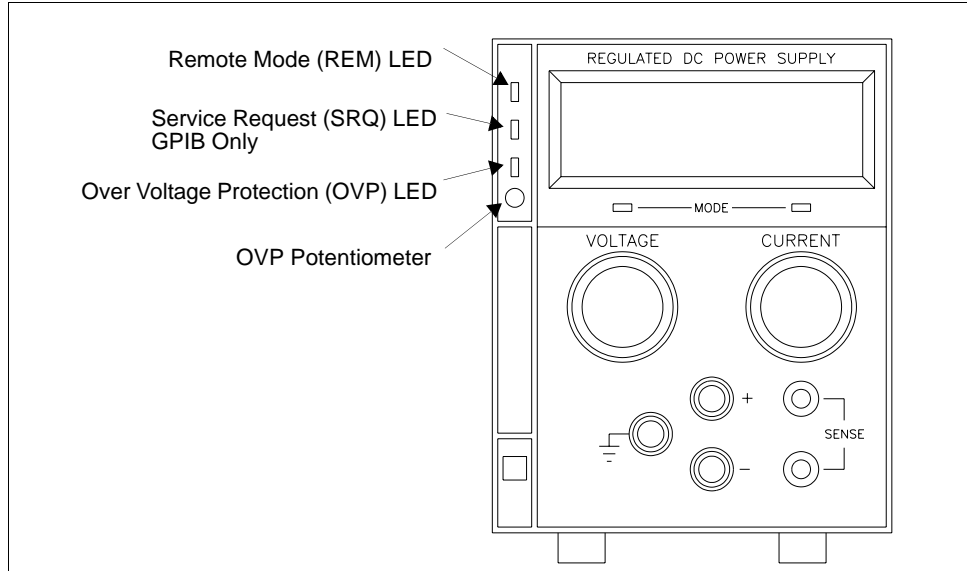
- Ensure each package contains a power supply with its RS-232 interface board installed, and manuals for the power supply and the RS-232 interface. Any additional parts shipped with the power supply will be identified in the supply's documentation.
- Inspect the unit for any signs of physical damage such as scratches, cracks, or broken switches, connectors, or displays.
- Check the printed circuit board and components if you suspect internal damage.

If the unit is damaged, save all packing materials and notify the carrier immediately. For additional information, please see the section titled, “Returning Power Supplies to the Manufacturer” in the manual shipped with your complete unit.

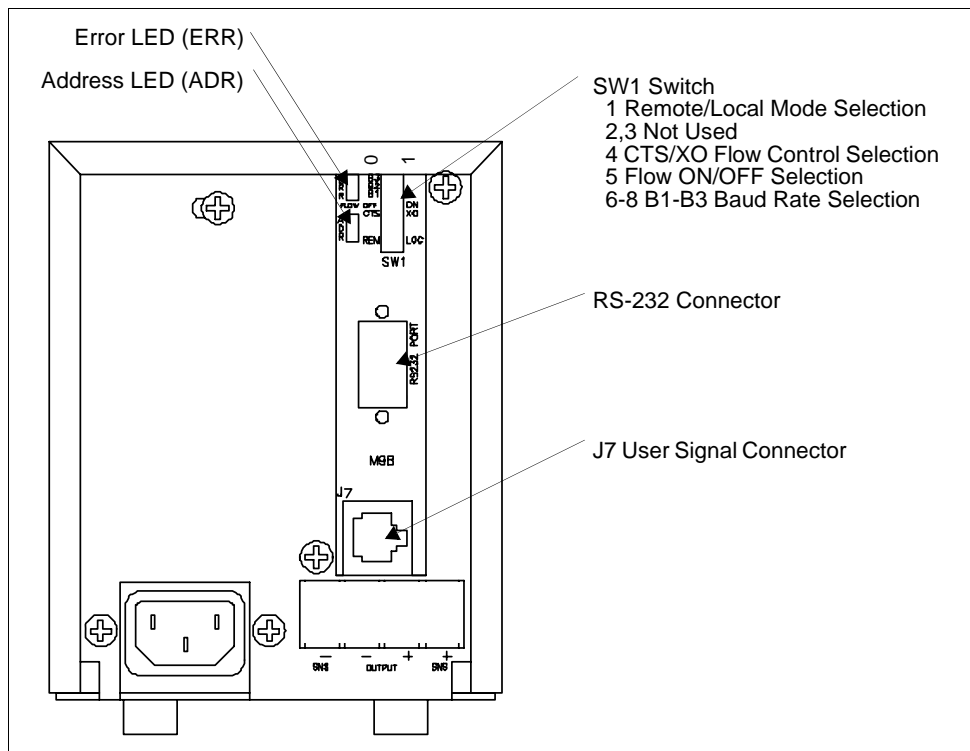


## Installation and Configuration

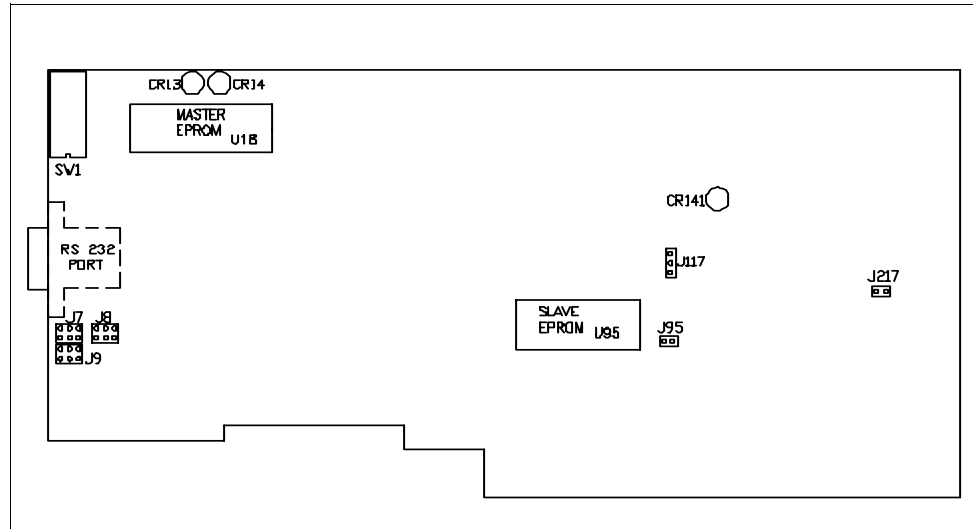
### Initial Inspection



**Figure 2.1** Power Supply Front Panel with RS-232 Interface Installed



**Figure 2.2** Power Supply Rear Panel with RS-232 Interface Installed



**Figure 2.3** RS-232 Interface PCB

See next page for designation descriptions.

## Installation and Configuration

### Initial Inspection

JUMPER SELECTION		
J95	Local OVP control selection	[closed] [default]. See page 29. [open] See Table 2.13, on page 29.
J117	User TTL shutdown (S/D) selection	[1-2] User TTL S/D line active low. [2-3] [default] User TTL S/D line active high.
J217	Remote OVP Control Selection	[closed] [default]. See page 29. [open] See Table 2.13, on page 29.
J7	RS-232 (J5) transmit and receive pin selection	[3-1] Transmit on pin 3 [default] [4-6] Receive on pin 2 [default] [3-5] Transmit on pin 2 [4-2] Receive on pin 3
J8	RS-232 flow control selection of RTS/CTS (ready to send/clear to send) or DTR/DSR (data terminal ready/data set ready)	[2-4][3-5] [default] RTS input on pin 7 (used with CTS output on pin 8) [2-4][1-3] DTR input on pin 4 (used with DSR output on pin 6)
J9	RS-232 flow control selection of RTS/CTS or DTR/DSR	[1-3][4-6] [default] CTS output on pin 8 (used with RTS input on pin 7) [3-5][4-6] DSR output on pin 6 (used with DTR input on pin 4)
Note: All other jumpers are not user-selectable.		
LED INDICATORS		
CR141	Red Diagnostic LED	Bus error or soft restart on Slave circuitry.
CR14	Red Diagnostic LED	Soft restart on Master circuitry.
CR13	Green Diagnostic LED	Bus error on Master circuitry.
EPROMS		
U95	Slave EPROM	See revision number stamped on EPROM.
U18	Master EPROM	See revision number stamped on EPROM.

**Figure 2.3**, RS-232 Interface PCB continued.

## **Basic Setup Procedure**

This procedure can be used as a quick reference for those familiar with the configuration requirements for the RS-232 interface as installed in the DC power supply. For those who want more information, each step refers to more detailed procedures located in subsequent sections. Execute each step of the procedure in the sequence given.

The RS-232 standard is a commonly-used serial communications protocol that defines how to transmit data between a computer and a programmable instrument. It uses a point-to-point communication protocol with a transmitter sending data to a receiver, one bit at a time, over a single communication line. Serial communication is accessible via the serial ports on most computers.

For proper communication through the RS-232 serial interface, you need to specify various parameters so that your data is sent and received by the controller (computer) and the device (power supply) in the same manner. To set the RS-232 option for operation, follow the setup procedure in Table 2.1.

## Installation and Configuration

### Basic Setup Procedure

**Table 2.1** Setup Procedure

Step #	Description	Action	Reference
1	Baud Rate Selection	Select transmission speed	See “Baud Rate Selection” on page 21.
2	Flow Control Selection	Set flow control ON or OFF. If flow control is set ON, choose software-based XON/XOFF or hardware-based CTS/RTS (Clear to Send/Ready to Send) or DTR/DSR (Data Terminal Ready/Data Set Ready) communication control.	“Flow Control Selection” on page 22.
3	Remote/Local Operation	Use the rear panel REM/LOC switch to select remote or local state of the power supply.	See “Remote/Local Operation” on page 25.
4	RS-232 Connection	Connect the RS-232 cable assembly to the supply at connector J4.	See “RS-232 Connection” on page 27
5	User Signal Connector	Configure and use the J7 connector signals, if required.	See “Connector J7 User Signals” on page 31.
6	Power ON	Power on the unit. Before proceeding, check to ensure that the green REMOTE LED on the front panel is on.	See “User Options and Settings” on page 29 and “User Signals” on page 31 for information about Local/Remote OVP, TTL Shutdown, and auxiliary connector J7 user signals.
7	Power Supply Settings	Configure the controller’s operating parameters to match the power supply settings.	See “Power Supply Settings” on page 28.
8	Test	Test the link by communicating with the power supply.	Example: VSET2;ISET1 This command string sets power supply voltage to 2V and its current limit to 1A. See Section 3.

## Communications

**Baud Rate Selection** Serial transmission sends and receives data in bit streams at fixed bit rates. Both the computer and the interface must have the same bit rate setting for proper communication. Use switches B1, B2, and B3 on the rear panel SW1 switch to select the power supply's rate of transmission in bits per second. Table 2.2, "Switch S1 Settings for Baud Rate" summarizes the switch settings with the reference markings on the rear panel subplate. Refer to Figure 2.2, on page 16 for the location of the SW1 switch on the RS-232 interface subplate.

**Table 2.2** Switch S1 Settings for Baud Rate

Baud Rate	B1	B2	B3
9600	0	0	0
4800	0	0	1
2400	0	1	0
1200	0	1	1
600	1	0	0
300	1	0	1
150	1	1	0
75	1	1	1

0 = OPEN/OFF      1 = CLOSED/ON

**Note:** When resetting switches B3, B2, and B1 during a working session, turn the power supply OFF and then ON again to put the new settings into effect.

**Flow Control Selection**

Flow control signals regulate data flow for proper communication. Use the FLOW switch on the rear panel S1 switch to select flow control or to disable flow control. With flow control enabled, you can use either software or hardware protocols to control flow rates. Table 2.3 gives the FLOW switch settings with regards to the markings on the subplate rear panel. For a diagram of the rear panel subplate, see Figure 2.2, on page 16.

**Table 2.3** Flow Control Section

<b>FLOW Switch Setting</b>	<b>Condition</b>
0	Disable Flow Control
1	Enable Flow Control

Once you select the flow control option, you have to select either software flow control or hardware flow control using the CTS/XO switch (SW1-4) on the rear panel of the power supply. Software flow control uses XON/XOFF protocol while with hardware flow control you have the choice of RTS/CTS or DTR/DSR protocol. Table 2.4 shows the flow control conditions in reference to the CTS/XO switch. To change the hardware flow control protocol, refer to Table 2.3 in this section. Figure 2.2, “Power Supply Rear Panel with RS-232 Interface Installed” on page 16 shows the location of the SW1 switch on the power supply rear panel.

**Table 2.4** Hardware/Software Flow Control Selection

<b>XON Switch Setting</b>	<b>Condition</b>
0	Hardware Flow Control
1	Software Flow Control

**Software Flow Control**

This software protocol uses special characters that synchronize device communications. The device sends the control code XOFF (ASCII value 13 hex) when it is not ready to receive data. The device sends the control code XON (ASCII value 11) when it is ready to resume receiving data.

To choose XON/XOFF protocol, select the XON switch position shown in Table 2.4.

**Hardware  
Flow Control**

Hardware flow control protocol requires a dedicated control line on the RS-232 cable. The dedicated control line is needed so that the device can signal the controller when it is ready to receive data. You can designate either RTS/CTS or DTR/DSR protocol for the RS-232 interface.

Set the XON switch for hardware control using the information in Table 2.4. With hardware flow control selected, RS-232 Interface PCB jumpers J8 and J9 dictate the type of flow protocol. Table 2.5, “Jumper/Pin Settings for RTS/CTS Flow Control (Default)” and Table 2.6, “Jumper/Pin Settings for DTR/DSR Flow Control (Default)” identify jumper connections and input and output pin designations for each protocol. See also “Transmit / Receive Pin Selection” on page 24 for RS-232 connector pinouts.

**Note:**When resetting the flow control switches during a working session, turn the power supply OFF and then ON again to put the new settings into effect.

**Table 2.5** Jumper/Pin Settings for RTS/CTS Flow Control (Default)

	<b>Jumper Connections</b>	<b>RS-232 Connector Pin</b>
RTS (Input to RS-232)	J8 to 2-4 and 3-5	7
CTS (Output to RS-232)	J9 to 1-3 and 4-6	8

**Table 2.6** Jumper/Pin Settings for DTR/DSR Flow Control (Default)

	<b>Jumper Connections</b>	<b>RS-232 Connector Pin</b>
DTR (Input to RS-232)	J8 to 2-4 and 1-3	4
DSR (Output to RS-232)	J9 to 3-5 and 4-6	6



## Installation and Configuration

### Communications

**Connections** Use a 9-pin (DB9) to 9-pin parallel cable to connect the interface card to the serial port on the host computer. If you need to use a 25-pin connector (DB25) on the host interface, ensure the correct connections are made by referring Table 2.7. If the proper cables are not available and you need to change the transmit/receive pin configuration, see “Transmit / Receive Pin Selection”.

**Table 2.7** Transmit/Receive Pin Connections

Power Supply (DCE)		Host Computer (DTE)
<b>9-pin connector</b>		
Pin 2	transmits to	Pin 2 (Receive)
Pin 3	receives from	Pin 3 (Transmit)
Pin 5 (Ground)	connects to	Pin 5 (Ground)
<b>25-pin connector</b>		
Pin 2	transmits to	Pin 3 (Receive)
Pin 3	receives from	Pin 2 (Transmit)
Pin 5 (Ground)	connects to	Pin 7 (Ground)

### Transmit / Receive Pin Selection

The RS-232 interface can use either pin 2 or pin 3 of the RS-232 connector to transmit or receive data. You can set the pin orientation you want by changing the position of the J7 jumper on the interface PCB. Table 2.8, “Jumper Settings for Transmit/Receive Pin Selection” shows the transmit/receive pin selection on the RS-232 connector in relation to the settings of the J7 jumper. See Figure 2.3, “RS-232 Interface PCB” on page 17 to locate jumper J7.

**Table 2.8** Jumper Settings for Transmit/Receive Pin Selection

	Jumper J7 Connections	RS-232 Connector Pin
Transmit (TXD)	4-6 (default)	3
	4-2	2
Receive (RXD)	3-1 (default)	2
	3-5	3

### Removing the cover

In order to access the J7 jumper or the J95 jumper (see page 25) you will need to remove the cover. First, turn the unit upside-down and remove the 6 small screws (3 to each side) on the bottom of the power supply. Turn the unit back up the right way. Hold the plastic front panel firmly and lift the metal cover slightly back and up. The front panel should disengage from the cover. Now, holding the cover straight, slide it towards the back of the unit, along the runners, until it comes fully off.

## Remote/Local Operation

**Remote / Local Switch** Use the rear panel Remote/Local switch, SW1-1, to toggle between remote and local operation without losing the programmed values. See Table 2.9 for the switch settings.

**Table 2.9** Remote/Local Start-up Settings.

Switch Position	Power ON results
0, OPEN (REM)	Unit in remote mode
1, CLOSED (LOC)	Unit in local mode

**LOC Command** Ensure the rear panel REM/LOC switch is set for remote mode. When the switch is set for remote mode, you can use the LOC command to toggle between remote mode and local mode. See “Command Reference” on page 42.

**Local Mode Disable Jumper J95** You can disable local control of the power supply by removing jumper J95 on the PCB. We recommend that you remove jumper J95 only if you never plan to control the power supply from the front panel. When the Local Mode Disable Jumper J95 is closed, you can select between operating the power supply in either local mode or remote mode by using the rear panel remote/local switch or by using the software LOC command. With jumper J95 open, you can only operate the power supply in remote mode. Opening the J95 jumper disables the rear panel remote/local switch and the front panel voltage and current knobs. You cannot return to local mode using the LOC command without closing jumper J95.

**Table 2.10** Local Mode Disable Jumper J95 Selection.

Jumper J95 Position	Operating State
Closed	Remote or local control of power supply
Open	Software control only

**Note:**The location of over voltage protection control is dependent on the position of jumper J95 and of OVP control jumper J217. Table 2.13, “OVP Control Mode Selection,” on page 29 shows how jumper position affects the location of OVP control.

## Installation and Configuration

### Remote/Local Operation

**Table 2.11** Remote Mode Power On Conditions

<b>Condition</b>	<b>Default Settings</b>	<b>60 W 7-6 Model Example</b>
Voltage	0 V	VSET 0
Current	0 A	ISET 0
Soft Voltage Limit	VMAX (see models)	VMAX 7
Soft Current Limit	IMAX (see models)	IMAX 6
OVP Trip Voltage	Model VMAX + 10%	OVSET 7.7
Delay	0.5 s	DLY 0.5S
Foldback Protection	OFF	FOLD OFF
Output	ON	OUT ON
Hold	OFF	HOLD OFF
Unmask	NONE	UNMASK NONE
AUXA	OFF	AUXA OFF
AUXB	OFF	AUXB OFF

#### **Remote Mode Operation**

While in remote mode, use the interface commands to control the output of the power supply from a computer. See Section 3 for a complete list of device-dependent commands available with this interface.

#### **Local Mode Operation**

In local mode operation, you set the voltage and current output levels and the OVP trip level with controls located on the front panel. Refer to the operating manual for a description of the functions available at the front panel.

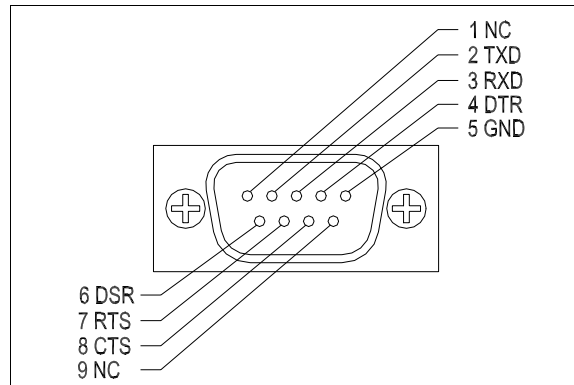
## RS-232 Connection



### WARNING

Do not operate the power supply and the computer at significantly different frame potentials. The interface connection system may not be capable of handling the resulting excessive ground currents.

Use an approved RS-232 connector and cable when connecting the RS-232 Interface to your computer. The RS-232 connector uses the 9 pin mating connector J4 on the rear panel. Figure 2.4 shows the connector pinouts for the RS-232 connector. Refer to Figure 2.2, on page 16 for the position of the RS-232 connector on the rear panel subplate.



**Figure 2.4** RS-232 Connector (J4) Pinouts (default configuration)

## Installation and Configuration

### Power Supply Settings

## Power Supply Settings

For serial communication, the computer and the RS-232 interface must share the same communication settings. Make sure that the settings of the computer and of the power supply agree with those shown in Table 2.12.

**Table 2.12** Power Supply Settings

<b>Parameter</b>	<b>Setting</b>
Transmission	Asynchronous
Mode	Full Duplex
Speeds	75, 150, 300, 600, 1200, 2400, 4800, 9600
Parity	None
Connector	DB9-pin Male
Start Bit	1
Stop Bit	1
Data Bits	8
Protocols	XON/XOFF (Software flow control) CTS/RTS (DSR/DTR) (Hardware flow control) NONE (Flow control off)

## User Options and Settings



### CAUTION

If you remove the unit's cover, use proper static control techniques to avoid damage to static-sensitive components on the printed circuit board.

You can customize remote operation settings for OVP (over voltage protection) control and TTL shutdown by changing jumper positions on the RS-232 PCB. Refer to the operating manual for information on how to use over voltage protection and TTL shutdown.

### OVP Selection

Over voltage protection (OVP) on the RS-232 interface is set at the factory for remote software operation. When operating the power supply in remote mode, you control the OVP trip level using the OVSET software command. If you return the power supply to local operation by using the LOC software command, control of the OVP trip level changes from software control to the front panel OVP potentiometer. The default OVP trip level is set as 110% of the power supply's rated output voltage. See Table 2.11, on page 26 for a complete list of remote power ON default settings.

You can isolate the location of OVP control by changing the positions of the Local OVP Control jumper J95 and the Remote OVP Control jumper J217, both on the RS-232 interface PCB. The default jumper settings allow control of OVP to depend on the operating state of the power supply. By physically changing the jumper settings, you can isolate the location of OVP control to software control only or front panel control only. Table 2.13 shows the jumper settings and OVP programming selection. Refer to “Basic Setup Procedure” on page 19 for the positions of the jumpers on the RS-232 PCB.

**Table 2.13** OVP Control Mode Selection

PCB Jumper J95 Position	PCB Jumper J217 Position	OVP Programming Selection
Closed (default)	Closed (default)	Software or Front Panel OVP control (dependent on the power supply operating state)
Open	Closed	Software OVP control only
Closed	Open	Front Panel OVP control only
Open	Open	Front Panel OVP control only

## Installation and Configuration

### User Options and Settings

**TTL Shutdown** You can use the Shutdown function to disable or enable the supply's output. Disabling the supply using TTL shutdown allows you to make adjustments to the load or to the power supply without shutting down the power supply. With the RS-232 interface installed, TTL shutdown is activated by a TTL signal to Pin 1 of the J7 connector on the interface subplate. The shutdown user line uses a 0-5Vdc TTL input with a high signal range of 2.2-5.0Vdc. The current range of the shutdown line is 1-10mA. See Figure 2.6, “J7 User Signal Connector Circuit Block Diagram” on page 32 for a schematic of the J7 connector containing the shutdown user line.

You can select the logic level of the TTL input by changing the J117 connector on the RS-232 PCB. Table 2.14 shows the TTL signal levels for the J117 jumper settings. See Figure 2.3, on page 17 for the location of the J117 jumper on the printed circuit board.

**Table 2.14** Switch Settings for TTL Shutdown Circuit Logic

PCB Jumper J117 Position	TTL Signal Level	Supply Output Condition
Pin 2 to Pin 3 (default)	HIGH	OFF
	LOW	ON
Pin 1 to Pin 2	HIGH	ON
	LOW	OFF

## User Signals

### Connector J7 User Signals

Auxiliary connector J7, located on the RS-232 interface rear panel, provides several signals to increase your operating control of the supply. These signals are dependent on the operator's design and uses. The operation of the J7 signal requires that you provide external Vcc and ground. Use a standard 8-position RJ45 connector and data cable to connect to J7. To locate the connector, refer to the RS-232 interface subplate drawing in Figure 2.2, on page 16. See Figure 2.5 for pin descriptions. The J7 outputs can sink a current of 5mA each. Figure 2.6, on page 32 shows the portion of the option board schematic which contains the J7 connector. Use the schematic as a reference when making input or output connections.

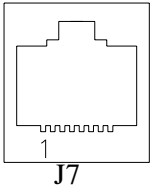
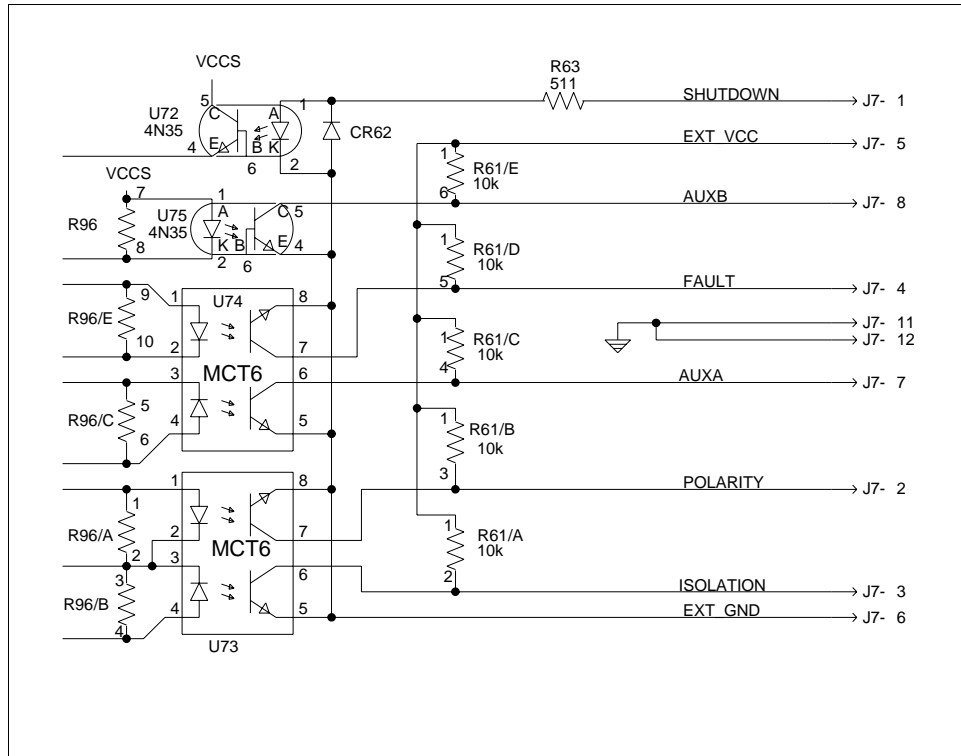
J7-1 External TTL shutdown input signal (See "TTL Shutdown")	
J7-2 Polarity signal, open collector (asserted by VSET -x)	
J7-3 Isolation signal, open collector (asserted by OUT OFF)	
J7-4 Fault signal, open collector (asserted when bit set in fault register)	
J7-5 External Vcc, 15V maximum (supplied by connecting and operating an external source)	
J7-6 External ground and shutdown return (supplied by connecting and operating an external source)	
J7-7 Open collector user signal (asserted by AUXA ON)	
J7-8 Open collector user signal (asserted by AUXB ON)	

Figure 2.5 User Signals J7 Connector



## Installation and Configuration

### User Signals



**Figure 2.6** J7 User Signal Connector Circuit Block Diagram

### J7 Cable Connection

Use a standard 8-position RJ45 connector and data cable to connect to J7. Add a ferrite block to reduce radiated emission. The one inch square ferrite block with built-in housing clip is packaged and shipped with the power supply interface card.

To install the ferrite block:

1. Position the block no more than 5 cm (2 in.) from the power supply end of the J7 user cable.
2. Open the ferrite block housing.
3. Loop the cable through the ferrite block. See Figure 2.7, “J7 User Cable with Ferrite Block” on page 33.
4. Close the housing clip.

The ferrite block ensures that the power supply system meets radiated emission requirement 89/336/EEC for CE mark approval. See the power supply's operating manual for noise specifications.

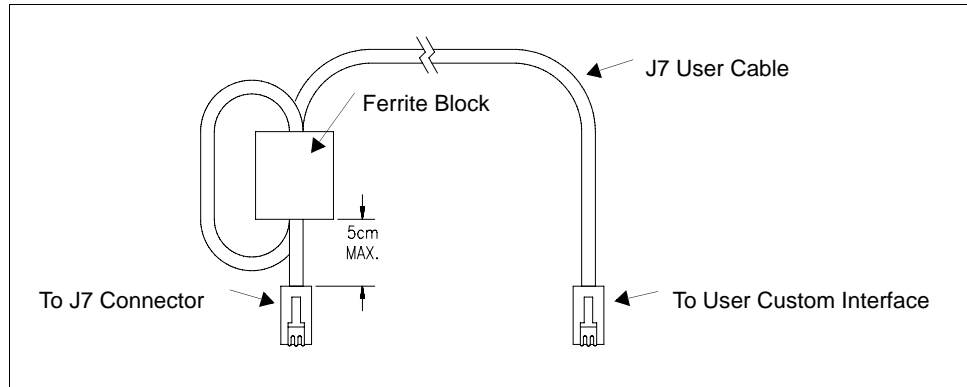


Figure 2.7 J7 User Cable with Ferrite Block

## **Installation and Configuration**

User Signals

# Section 3. Operation

## Introduction

This section covers RS-232 interface programming, including an extensive set of commands, and providing error codes, and status and fault register information.

## RS-232 Operation

The RS-232 interface card allows you to send and receive data between your power supply and computer. You can use the computer controller to issue commands to the power supply for programming, queries, calibration, or status. The power supply responds to the complete command set of device dependent software commands shown in “Command Reference” on page 42.

## Command Syntax

**Manual Conventions** The manual uses these conventions when displaying command information. These characters are not part of the command but are used to denote parameters used with the command.

< > (angle brackets)	Angle brackets enclose a parameter. Do not include the angle brackets in the command line you send to the computer.
/ (slash)	Separates two alternative parameters. When a slash separates two parameters, you can use either parameter to achieve the same result. Example: <1/ON> Entering 1 or ON will achieve the same result.
COMPUTER ENTRY	Words typed on the computer are shown in Arial text, full capitals.

## Operation

### Command Syntax

#### Command Format and Parameters

The device-dependent language for the RS-232 Interface consists of commands and parameters. A command is a one word code which either gives instructions to the interface or asks for information from the interface. A command may be followed by one or more parameters, a short code that changes the state of the power supply or the state of the bit register. Table 3.1, "Command Parameters" lists the parameters that affect the command set.

#### Format:

COMMAND or  
COMMAND <parameter> or  
COMMAND <parameter>,<parameter>

- You can enter commands in upper or lower case lettering.  
Example: MASK FOLD = mask fold
- Do not further abbreviate command names or parameters.  
Example: MASK FOLD ≠ MK FOLD  
MASK FOLD ≠ MASK FD
- Use a space between the command and the first parameter. Any number of consecutive spaces is treated as one space. Numeric data may contain leading spaces. Embedded spaces between digits or between a digit and a decimal point are not accepted.  
Example: MASK FOLD = MASK FOLD  
VOUT 3.4 = VOUT 3.4  
VOUT 3.4 ≠ VOUT 3.4
- Use commas between parameters in those commands with more than one parameter, and between mnemonic parameters as in the MASK and UNMASK commands. Only one comma is allowed and it may be preceded or followed by any number of spaces.

Example: MASK CV, OV, FOLD

**Table 3.1** Command Parameters

Parameter	Description	Form
<current>	The current in amps or milliamps. If no unit is given, the default unit is amps.	<float> <float>A <float>mA
<seconds>	The time in seconds or milliseconds. If no unit is given, the default unit is seconds.	<float> <float>s <float>ms
<voltage>	The voltage in volts or millivolts. If no unit is given, the default unit is volts.	<float> <float>V <float>mV
<fault mask>	A combination of CV, CC, OV, SD and FOLD. See MASK and UNMASK commands in the command reference for use of the ALL and NONE parameters.	See registers on page 49.
<status mask>	A combination of CV, CC, OV, SD, FOLD, ERR and REM. See MASK and UNMASK commands in the command reference for use of the ALL and NONE parameters.	See registers on page 49.
<other>	Command-specific parameters such as 1, 0, ON, OFF, ALL or NONE.	See page 42.

**Floating Point Number <float>** Variables sent with command parameters are floating point numbers. Table 3.2 defines the structure of floating point numbers for use with the software commands.

**Table 3.2** Floating Point Numbers

Floating Number Definition	Example
The floating point number has four significant figures. It can be of either sign, positive or negative.	1.234 -1.234 +1.234
A floating point number can have a decimal point.	0.123 1.2 123.4
Scientific Notation Use E or e after the number for a base ten exponent. An integer of either sign must follow an exponent.	123.0E-1 1.2E-1 10.00E+1

## Operation

### Command Syntax

**Command Strings** If you send more than one command line, separate the commands with a semicolon. The semicolon may be preceded or followed by spaces.

**Example:**

```
ISET 2.0A; VSET 5V
```

```
ISET 2.0A; VSET 5V
```

**Command Terminators** Terminators indicate the end of a command string and tell the power supply to execute the command. The termination character is CR (carriage return).

**Format:**

```
COMMAND <parameter>; COMMAND <parameter>, <parameter><CR>
```

Most computer controllers automatically send LF with output statements.

**Order** You may send commands in any order, keeping in mind that only those commands received after a HOLD and before a TRG (trigger) will be released by the TRG command. In addition, only these commands received after a supply disable and before a RST (reset) or OUT ON command will be released by the RST command or the OUT command. Commands are executed in the order they are received.

## Command Summary

Use these commands to control the operation of the supply. They are listed here in order of function such as PROGRAMMING, QUERY, CALIBRATION, and STATUS commands. See “Command Reference” on page 42 for more detailed information about each command and its use.

**Table 3.3** Programming Commands

<b>Command</b>	<b>Description</b>
AUXA	Selects the state of the AUXA output signal on the J7-7 connector.
AUXB	Selects the state of the AUXB output signal on the J7-8 connector.
CLR	Initializes the power supply to its Power ON (PON) state.
DLY	Sets a programmable time delay which is executed by the supply before reporting fault conditions after a new output voltage or current is specified.
FOLD	Sets foldback mode for the supply.
HOLD	Enables or disables voltage/current setting hold mode for the supply.
IMAX	Sets an upper soft limit on the programmed output current for the supply.
ISET	Sets the output current of the supply in amps (default) or in milliamps.
LOC	Enables or disables local mode operation for the power supply.
OUT	Enables or disables voltage/current output for the supply.
OVSET	Sets the over voltage protection trip point for the supply in volts (default) or in millivolts.
RST	Resets the supply to the present voltage and current settings if the output is disabled by OVP or foldback protection.
TRG	Implements programmed voltage and current settings which had been in hold mode.
VMAX	Sets an upper soft limit on the supply's programmed output voltage.
VSET	Sets the output voltage of the power supply in volts (default) or in millivolts.



## Operation

### Command Summary

**Table 3.4** Query Commands

<b>Command</b>	<b>Description</b>
AUXA?	Asks for the state of the set value for the AUXA command
AUXB?	Asks for the state of the set value for the AUXB command
CMODE?	Asks for the power supply's calibration mode status.
DLY?	Asks for the programmable time delay setting before the supply reports fault conditions.
ERR?	Asks for the most recent remote programming error which occurred in the supply since the last time the error query command (ERR?) was used.
FOLD?	Asks for the supply's present foldback setting.
HOLD?	Asks for the present hold mode setting.
ID?	Asks for the power supply's model name and master EPROM version.
IMAX?	Asks for the supply's soft current limit setting.
IOUT?	Measures the supply's actual current output.
ISET?	Asks for the supply's present output current limit setting.
LOC?	Asks whether or not the supply is in local mode operation.
OUT?	Asks for the present enabled/disabled status of the supply's output.
OVSET?	Asks for the supply's present over voltage protection limit.
ROM?	Asks for the version number of the master and slave EPROMs on the interface PCB.
VMAX?	Asks for the supply's soft voltage limit setting.
VOUT?	Measures the supply's actual voltage output.
VSET?	Asks for the supply's present output voltage setting.

**Table 3.5** Calibration Commands

<b>Command</b>	<b>Description</b>
CMODE	Places the supply into calibration mode.
IDATA	Calculates the slope and intercept for current programming.
IHI	Sets the current output to the high calibration point.
ILO	Sets the current output to the low calibration point.
IRDAT	Calculates the slope and intercept for current readback.
IRHI	Sets the current output to the high readback point.
IRLO	Sets the current output to the low readback point.
OVCAL	Calibrates the over voltage protection (OVP).
VDATA	Calculates the slope and intercept for voltage programming.
VHI	Sets the voltage output to the high calibration point.
VLO	Sets the voltage output to the low calibration point.
VRDAT	Calculates the slope and intercept for voltage readback.
VRHI	Sets the voltage output to the high readback point.
VRLO	Sets the voltage output to the low readback point.

**Table 3.6** Status Commands

<b>Command</b>	<b>Description</b>
ASTS?	Asks for the supply's accumulated status register.
FAULT?	Asks for the supply's fault register for the status preset operating conditions.
MASK	Prevents the supply's previously unmasked operating conditions from setting bits in the fault register.
STS?	Asks for the supply's present status register.
UNMASK	Enables you to select those supply's operating conditions that you are most interested in monitoring for fault occurrence.
UNMASK?	Asks for the supply's fault conditions which are currently enabled (unmasked).

## Command Reference

**Table 3.7** Command Reference

Command	Description
ASTS?	Returns the supply's accumulated status register. The accumulated status register stores any bit that was entered in the status register since the accumulated status query command (ASTS?) was last used, regardless of whether the condition still exists. Bits in the accumulated status register represent the same bits and conditions as the bits in the status register. A bit in the accumulated status register will be set at 1 if the corresponding bit in the status register has been 1 (TRUE) at any time since the register was last read. See "Accumulated Status, Status, and Fault Registers" on page 49. The ASTS? query clears the accumulated status register. Response: ASTS <status mask> where status mask is the decimal equivalent of the total bit weights for the operating conditions as listed in the status register.
AUXA <1/ON>,<0/OFF>	Sets the AUXA output signal level at rear panel connector J7-7. Active low. Initial value: AUXA 0
AUXA?	Returns the present set value of the AUXA output signal. Response: AUXA 0 (OFF) AUXA 1 (ON)
AUXB <1/ON>,<0/OFF>	Controls the AUXB output signal level at rear panel connector J7-8. Active low. Initial value: AUXB 0
AUXB?	Returns the present set value of the AUXB output signal. Response: AUXB 0 (OFF) AUXB 1 (ON)
CLR	Initializes the power supply to its power ON condition. If issued while in local mode, CLR will force power supply settings to register default values as in but these default settings will not come into effect until the power supply is switched to remote mode operation. The CLR commands will clear faults from the fault register. CLR will not reset CMODE.
CMODE <1/ON>,<0/OFF>	CMODE ON places the power supply into calibration mode for processing calibration commands. Initial value: CMODE OFF or CMODE 0
CMODE?	Returns the power supply's calibration mode status. Response: CMODE 0 (disabled) CMODE 1 (enabled)

Command	Description
DLY <seconds>	<p>Sets a programmable time delay employed by the supply before reporting fault conditions. The power supply uses the time delay after receiving a new output voltage or current setting via VSET or ISET, or after receiving RST, TRG, or OUT ON commands. During the time delay, the power supply disables CV, CC, and FOLD conditions from generating faults, preventing possible nuisance foldback if the supply momentarily switches modes while changing an output setting.</p> <p>Range: 0 to 32 seconds, with 32ms resolution Initial value: 0.5 second</p>
DLY?	<p>Returns the setting of the programmable time delay before the supply reports fault conditions.</p> <p>Response: DLY &lt;seconds&gt;</p>
ERR?	<p>Returns the most recent remote programming error. When the power supply detects a programming error, it lights the ERR LED and sets the ERR bit in the accumulated status and fault registers. If the error bit has been masked using the MASK command, then the ERR bit in the registers will not set. Once an error is detected, the remaining portion of the command line is discarded. An error query clears the ERR bit in the accumulated status register. See “Error Codes” on page 51.</p> <p>Response: ERR &lt;error number&gt; Example: ERR 0 (if no error)</p>
FAULT?	<p>Returns the state of the fault register. A bit is set in the fault register when a fault arises for that condition. Lists the conditions which activate a fault bit. You can use the MASK command to disable bits from being set in the fault register.</p> <p>When a bit is set in the fault register it also asserts a signal on the J7-4 user signal line. You can tie the J7-4 fault line signal to the power supply's own External Shutdown user line, J7-1, so that the shutdown signal goes low (active) in the case of a user-defined fault.</p> <p>The FAULT? query clears bits in the supply's fault register and fault line.</p> <p>Response: FAULT &lt;fault mask&gt; where fault mask is the decimal equivalent of the total bit weights for the operating conditions as listed in the fault register. See “Accumulated Status, Status, and Fault Registers” on page 49.</p>
FOLD <2/CC>, <1/CV>, <0/OFF>	<p>Sets foldback mode for the supply. Foldback protection disables the power supply output when the output enters the fold condition. Reset with the RST command.</p> <p>Example: Specify FOLD 1 or FOLD CV (Constant Voltage) when you want the supply to operate in Constant Current mode and have foldback protection disable the output if the supply switches to Constant Voltage mode.</p> <p>Initial value: FOLD 0/OFF</p>

## Operation

### Command Reference

Command	Description
FOLD?	Returns the supply's present foldback setting. Response: FOLD <mode> where mode is: 0 (OFF) or 1 (CV or Constant Voltage mode) or 2 (CC or Constant Current mode)
HOLD <1/ON>,<0/OFF>	Enables or disables voltage/current setting hold mode for the supply. When HOLD ON is specified, hold mode is enabled so that all voltage and current settings which would normally be applied immediately are held until a TRG (trigger) command is received. This feature allows you to synchronize the operation of several supplies. Initial value: HOLD OFF or HOLD 0
HOLD?	Returns the present hold mode setting. Response: HOLD 0 (OFF or disabled) or HOLD 1 (ON or enabled)
ID?	Returns the power supply model and the master EPROM version. Response: ID <model name><version>
IDATA <llo>,<lhi>	Calculates and records the slope and offset for programmed current using ILO and IHI data. Set CMODE ON before using this command. See also the calibration procedures in Section 4. <llo> and <lhi> are in <current> format.
IHI	In response to this command, the power supply sends a programmed current value to the output terminal. This value is at the high end of the power supply's current range and is read by an external device connected as part of the calibration procedure. Refer to this value as IHI and record it to use as input with the IDATA command. Set CMODE ON before using this command. See also the calibration procedures in Section 4.
ILO	In response to this command, the power supply sends a programmed current value to the output terminal. This value is at the low end of the power supply's current range and is read by an external device connected as part of the calibration procedure. Refer to this value as ILO and record it to use as input with the IDATA command. Set CMODE ON before using this command. See also the calibration procedures in Section 4.
IMAX <current>	Sets an upper soft limit on the supply's programmed output current. If the soft limit is exceeded, or if the soft limit value is lower than the present output current setting, the supply will ignore the command, turn on the ERR LED, and set the ERR bit in the bit registers. Range: 0 to model maximum output current (IMAX) Initial value: model IMAX
IMAX?	Returns the supply's soft current limit setting. Response: IMAX <current>

Command	Description
IOUT?	Measures and returns the supply's actual current output using the built-in current readback circuitry. Response: IOUT <current>
IRDAT <llo>,<lhi>	Calculates and records the slope and offset for readback voltage using IRLO and IRHI data. Set CMODE ON before using this command. See also the calibration procedures in Section 4. <llo> and <lhi> are in <current> format.
IRHI	The power supply outputs a current value to an external device connected as part of the calibration procedure and records a current readback value internally. These values are at the high end of the programmed current range. Refer to the output value as IRHI and record it to use as input with the IRDAT command. Set CMODE ON before using this command. See also the calibration procedures in Section 4.
IRLO	The power supply outputs a current value to an external device connected as part of the calibration procedure and records a current readback value internally. These values are at the low end of the programmed current range. Refer to the output value as IRLO and record it to use as input with the IRDAT command. Set CMODE ON before using this command. See also the calibration procedures in Section 4.
ISET <current>	Sets the power supply's output current in amps (default) or in milliamps. This programmed current is the actual output in CC mode or the current limit in CV mode. Range: 0 to model maximum output current (IMAX) Initial value: 0 amps
ISET?	Returns the supply's present output current setting. Does not apply to current settings which are being held. See HOLD command. Response: ISET <current>
LOC <1/ON>,<0/OFF>	Enables or disables local mode operation for the power supply. This command is used with the rear panel Remote switch. See "LOC Command" on page 25.
LOC?	Returns the present enabled/disabled setting of local mode operation. Response: LOC 0 (OFF or disabled) or LOC 1 (ON or enabled)
MASK <mnemonics>	Disables the supply's previously unmasked operating conditions from setting bits in the fault and status registers. See "Accumulated Status, Status, and Fault Registers" on page 49. Mnemonics are separated from each other by commas and may be sent in any order. Mnemonics: CV, CC, OV, SD, FOLD, ERR Note: UNMASK NONE = MASK ALL (Initial value) MASK NONE = UNMASK ALL

## Operation

### Command Reference

Command	Description
OUT <1/ON>,<0/OFF>	<p>Enables or disables the supply's voltage/current output. The supply will continue to accept new commands while the output is disabled but these will not be implemented until OUT ON or OUT 1 is received. OUT ON is the default setting. When you start the supply in remote mode, the output is enabled.</p> <p>OUT OFF (or OUT 0) also sets the isolation signal on the rear panel J7 connector, line 3. You can use the to trip external relays to isolate the power supply from the load.</p> <p>Initial value: OUT ON (or OUT 1) for output enabled</p>
OUT?	<p>Returns the present enabled/disabled status of the supply's output voltage/current.</p> <p>Response: OUT 1 output enabled or OUT 0 output disabled</p>
OVCAL	<p>Causes the master controller to perform automatic calibration of the supply's over voltage protection circuitry. Set CMODE ON before using this command. Ensure jumper J95 on the RS-232 Interface PCB is connected for remote operation.</p>
OVSET <voltage>	<p>Sets the supply's over voltage protection trip point in volts (default) or in millivolts. If the trip point is exceeded, or if the trip point value is lower than the present output voltage setting, the supply will ignore the command, turn on the ERR LED, and set the ERR bit in the accumulated status register. Reset with the RST command.</p> <p>Range: 0 to 110% of model maximum output voltage (VMAX)</p> <p>Initial value: 110% of model VMAX</p>
OVSET?	<p>Returns the supply's present over voltage protection limit.</p> <p>Response: OVSET &lt;voltage&gt;</p>
ROM?	<p>Returns the version number of the master and slave EPROMs located on the interface PCB.</p> <p>Response: ROM M:&lt;version&gt; S:&lt;version&gt;</p>
RST	<p>Resets the supply to present voltage and current settings if the output is disabled by over voltage or foldback protection. Output values may be changed via VSET, ISET, and OVSET while the unit is disabled, but those values will not take effect until RST is applied.</p>
STS?	<p>Returns the supply's present status register. Status conditions are stored in the status register. Each bit represents a separate condition. When the condition is true, the corresponding bit is 1 (true). Bits remain set in the status register as long as the condition is true. See "Accumulated Status, Status, and Fault Registers" on page 49.</p> <p>Response: STS &lt;status mask&gt; where status mask is the decimal equivalent of the total bit weights for the operating conditions as listed in the status register.</p>

Command	Description
TRG	Causes programmed voltage and current settings which had been in hold mode to be applied. The supply operates with previous values until the TRG (trigger) command is sent.
UNMASK <mnemonics>	Selects the supply operating conditions that you are most interested in monitoring for fault occurrence. Mnemonics describing the conditions are separated from each other by commas, and may be sent in any order. Specifying one or more mnemonics which describe the conditions (or the decimal equivalent of their total bit weight) enables the selected conditions to set bits in the supply's fault and status registers during operation. A bit is set in the fault register when the corresponding bit in the status register changes from 0 to 1 and the corresponding bit in the mask register is 1. See "Accumulated Status, Status, and Fault Registers" on page 49. Mnemonics: CV, CC, OV, SD, FOLD, ERR, ALL, NONE Initial value: UNMASK NONE
UNMASK?	Returns the supply's fault conditions which are currently enabled (unmasked). Response: UNMASK <fault mask> where fault mask is the decimal equivalent of the total bit weights for the operating conditions as listed in the status and fault registers See "Accumulated Status, Status, and Fault Registers" on page 49.
VDATA <Vlo>,<Vhi>	Calculates and records the slope and offset for programmed voltage using VLO and VHI data. Set CMODE ON before using this command. See also the calibration procedures in Section 4. <Vlo> and <Vhi> are in <voltage> format.
VHI	In response to this command, the power supply sends a programmed voltage value to the output terminal. This value is at the high end of the power supply's voltage range and is read by an external device connected as part of the calibration procedure. Refer to this value as VHI and record it to use as input with the VDATA command. Set CMODE ON before using this command. See also the calibration procedures in Section 4.
VLO	In response to this command, the power supply sends a programmed voltage value to the output terminal. This value is at the low end of the power supply's voltage range and is read by an external voltmeter connected as part of the calibration procedure. Refer to this value as VLO and record it to use as input with the VDATA command. Set CMODE ON before using this command. See also the calibration procedures in Section 4.



## Operation

### Command Reference

Command	Description
VMAX <voltage>	Sets an upper soft limit on the supply's programmed output voltage. If the soft limit is exceeded, or if the soft limit value is lower than the present output voltage setting, the supply will ignore the command, turn on the ERR LED, and set the ERR bit in the accumulated status register. Range: 0 to model maximum output voltage (VMAX) Initial value: model VMAX
VMAX?	Returns the supply's soft voltage limit setting. Response: VMAX <voltage>
VOUT?	Measures and returns the supply's actual voltage output using the built-in voltage readback circuitry. Response: VOUT <voltage>
VRDAT <Vlo>,<Vhi>	Calculates and records the slope and offset for readback voltage using VRLO and VRHI data. Set CMODE ON before using this command. See also the calibration procedures in Section 4 . <Vlo> and <Vhi> are in <voltage> format.
VRHI	The power supply outputs a voltage value to an external voltmeter connected as part of the calibration procedure and records a voltage readback value internally. These values are at the high end of the programmed voltage range. Refer to the output value as VRHI and record it to use as input with the VRDAT command. Set CMODE ON before using this command. See also the calibration procedures in Section 4.
VRLO	The power supply outputs a voltage value to an external voltmeter connected as part of the calibration procedure and records a voltage readback value internally. These values are at the low end of the programmed voltage range. Refer to the output value as VRLO and record it to use as input with the VRDAT command. Set CMODE ON before using this command. See also the calibration procedures in Section 4.
VSET <voltage> or VSET <-voltage>	Sets the power supply's output voltage in volts (default) or in millivolts. This programmed voltage is the actual output in CV (constant voltage) mode or the voltage limit in CC (constant current) mode. If you enter a negative voltage value, the power supply will assert a signal on the J7-4 user signal line. You can use the user signal to trip external relays to switch the output polarity. Range: 0 to model maximum output voltage (VMAX) Initial value: 0 volts
VSET?	Returns the power supply's present output voltage setting. Does not apply to voltage settings which are being held. See HOLD command. Response: VSET <voltage>

## Accumulated Status, Status, and Fault Registers

The RS-232 option card uses three separate registers which are always active. They are the accumulated status, status, and fault registers. You can use the status commands shown in Table 3.6, “Status Commands” to activate the registers. The bit register has eight conditions, each assigned a bit weight. When querying a register, the controller returns a response which is the sum of the weights of all relevant conditions.

**Example:**

ASTS?	Query the Accumulated Status register.
ASTS 771	Controller response.
$771 = 512 + 256 + 2 + 1 = \text{PON} + \text{REM} + \text{CC} + \text{CV}$	

The accumulated status register shows that PON, REM, CC and CV have all been active since the last accumulated status register query.

Table 3.8 shows the mnemonics and bit weights which correspond to each register condition. You can select conditions you want to monitor in the fault and status register by using the MASK and UNMASK commands.

## Operation

### Accumulated Status, Status, and Fault Registers

**Table 3.8** Accumulated Status, Status, and Fault Registers

Condition	Mnemonic	Bit Position	Bit Weight
Constant voltage operation	CV	0	1
Constant current operation	CC	1	2
Not used	–	2	4
Overvoltage protection tripped	OV	3	8
Not used	–	4	16
Supply external shutdown active (J7-1)	SD	5	32
Foldback mode operation	FOLD	6	64
Remote programming error	ERR	7	128
Power ON (accumulated status, status registers only)	PON	8	256
Remote mode (accumulated status, status registers only)	REM	9	512

#### Notes:

1. Only CC, CV, OV, SD, ERR and FOLD can be masked or unmasked.
2. The error (ERR) bit is reset in the accumulated status, status, and serial poll registers with an error query (ERR?).
3. The accumulated status register is cleared with an accumulated status query (ASTS?).
4. A fault is cleared with a fault query (FAULT?).

## Error Codes

If the ERR flag in the accumulated status or fault registers has been activated, an ERR? query will return an error number which corresponds to an event described in the following table. The ERR? query will also clear the ERR bit in the register.

**Table 3.9** Error Codes

<b>ERROR #</b>	<b>ERROR IDENTIFICATION</b>	<b>EXPLANATION</b>
0	No Errors	
4	Unrecognized Character	Received a character such as @, *, \$.
	Improper Number	Received a numeric character but the characters were not a proper number. Example: VSET,±10.3
	Unrecognized String	Received an invalid command.
	Syntax Error	Received an incorrectly placed word, number, separator, or terminator. Example: OFF SRQ, VOUT 6, MASK, ERR
5	Number Out of Range	Specified a value for the command which was outside of the allowed range.
6	Attempt to Exceed Soft Limits	Attempted to program a voltage or current greater than the soft limit. Example: VMAX 500; VSET 550 LF
7	Improper Soft Limit	Attempted to program a soft limit less than the output value.
9	OVP Set Below Output	Sent an OVSET command with a trip value lower than the output voltage.
10	Slave Processor Not Responding	The interface PCB slave processor did not respond.
12	Illegal Calibration	Attempted calibration when the supply was not in calibration mode. See CMODE command.

## Troubleshooting



### WARNING

Exercise caution when using and servicing power supplies. High energy levels can be stored at the output voltage terminals on all power supplies in normal operation. In addition, potentially lethal voltages exist in the power circuit and the output connector of power supplies which are rated at 40V and over. Filter capacitors store potentially dangerous energy for some time after power is removed.

---

### Diagnostic LEDs

This section describes the diagnostic LEDs found on the RS-232 interface.

**Computer Operating Properly (COP) LEDs** The RS-232 interface provides three diagnostic LEDs, located at CR13, CR14, and CR141 on its PCB. Refer to Figure , ‘Figure 2.3, RS-232 Interface PCB continued.’ on page 18, for their locations. At present, these LEDs turn on to signal COP events for the interface's microprocessors. Issue a RST (reset) command to turn off the diagnostic LEDs.

The green COP LED at circuit designation CR13 indicates that the RS-232 interface microprocessor successfully recovered from a timeout error due to a communications bus error. The event is transparent to the RS-232 communications line continues to function normally.

The red COP LED at CR14 indicates that a transparent restart caused by noise in the master processor circuitry has occurred.

The red COP LED at CR141 indicates that a transparent restart caused by noise in the slave processor circuitry has occurred.

# Section 4. Calibration

## Introduction



### WARNING

Exercise caution when using and servicing power supplies. High energy levels can be stored at the output voltage terminals on all power supplies in normal operation. In addition, potentially lethal voltages exist in the power circuit and the output connector of power supplies which are rated at 40V and over. Filter capacitors store potentially dangerous energy for some time after power is removed.

---

You can calibrate the RS-232 interface by adjusting the signal levels on the interface card so that they correspond to the expected signal levels on the power supply's main assembly. You may need to recalibrate the interface if you replace parts either on the interface board or on the main power supply board, or if the unit falls out of specification due to component aging drifts.

You can calibrate the RS-232 Interface for:

- Voltage program
- Voltage readback
- Current program
- Current readback
- Overvoltage protection

The following equipment will be required to accurately calibrate your unit:

- Digital Voltmeter, 5 1/2 digit, 0.1% accuracy or better, with test leads
- Current sensing shunt resistor, rated for 150% of maximum output current, 0.25% accuracy or better
- Connection wires rated for the unit's maximum output current and voltage
- An RS-232 equipped computer to send the calibration commands to the unit

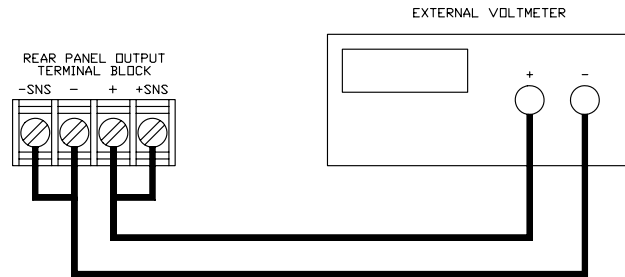
Calibrate the unit according to the following procedures, referring to [“Command Reference”](#) for more information about the calibration commands used.

The calibration procedures in this section are designed to be performed at an ambient temperature of  $25^{\circ}\text{C} \pm 5^{\circ}\text{C}$ .

**Calibration**  
Voltage Mode Calibration

**Voltage Mode Calibration**

- Voltage Calibration Setup**
1. Disconnect the load from the power supply which is to be calibrated.
  2. Connect a voltmeter across the power supply's output terminals.



**Figure 4.1** Voltage Calibration Setup

- Voltage Program Calibration Procedure**
1. Set the power supply for calibration as in [Figure 4.1](#).
  2. Activate calibration mode by sending command `CMODE ON` or `CMODE 1` to the power supply.
  3. Send command `VLO; ILO` to the power supply. Measure and record the output shown on the external voltmeter.
  4. Send command `VHI; IHI` to the supply. Measure and record the output voltage as shown on the external voltmeter.
  5. Send the command `VDATA <vlo>,<vhi>` where `<vlo>` and `<vhi>` are the values read from the voltmeter when the `VLO` and `VHI` commands were sent. When the power supply is calibrated, the low to high voltage program calibration values are stored as constants.
  6. Program the supply at various levels using the `VSET` command to confirm that the calibration was successful and that linearity is observed. See the voltage program accuracy specification in [Section 1](#).
  7. Turn off calibration mode by sending the command `CMODE OFF` or `CMODE 0` to the power supply.

**Voltage  
Readback  
Calibration  
Procedure**

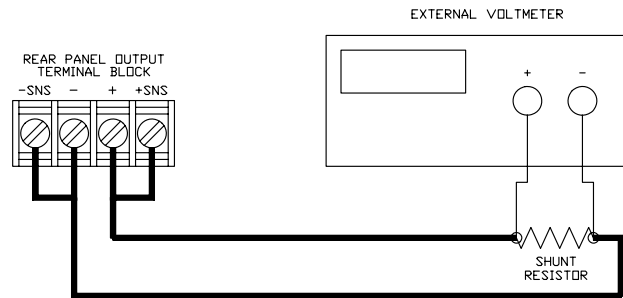
1. Set the power supply for calibration as in [Figure 4.1](#).
2. Activate calibration mode by sending command CMODE ON or CMODE 1 to the power supply.
3. Send command VRLO; IRLO to the power supply. Wait for the supply to settle. Measure and record the output shown on the external voltmeter. Send VRLO again.
4. Send VRHI; IRHI to the supply. Wait for the supply to settle. Measure and record the output voltage shown on the external voltmeter. Send VRHI again.
5. Send the command VRDAT <vlo>,<vhi> where <vlo> and <vhi> are the values read from the voltmeter after the VRLO and VRHI commands were sent. The processor calculates the offset value required to calibrate the power supply. When the power supply is calibrated, the low to high voltage readback calibration values (offsets) are stored as constants.
6. Use commands VSET and VOUT? commands to confirm that the calibration was successful and that linearity is observed. Refer to the voltage readback accuracy specification in [Section 1](#).
7. Turn off calibration mode by sending the command CMODE OFF or CMODE 0 to the power supply.



**Calibration**  
Current Mode Calibration

**Current Mode Calibration**

- Current Calibration Setup**
1. Disconnect the load from the power supply to be calibrated.
  2. Connect a shunt across the supply's output terminals. Ensure the shunt is rated to handle the maximum voltage and current output from the supply.
  3. Connect a voltmeter across the shunt.



**Figure 4.2** Current Calibration Setup

- Current Program Calibration Procedure**
1. Connect the shunt and voltmeter to the power supply as shown in [Figure 4.2](#).
  2. Activate calibration mode by sending command `CMODE ON` or `CMODE 1` to the power supply.
  3. Send command `ILO; VLO` to the power supply. Measure and record the output shown on the external voltmeter.
  4. Send command `IHI; VHI` to the supply. Measure and record the output voltage shown on the external voltmeter.
  5. Calculate `ILO` and `IHI` from the voltages read from the external voltmeter and the shunt resistance.  $I=V/R$ .
  6. Send the command `IDATA <ilo>,<ihi>` to the power supply. `<ilo>` and `<ihi>` are the current values obtained from sending the `ILO` and `IHI` commands to the power supply. When the power supply is calibrated, the low to high current program calibration values are stored as constants.
  7. Program the supply at various levels using the `ISET` command to confirm that the calibration was successful and that linearity is observed. Refer to the current program accuracy specification in [Section 1](#).
  8. Turn off calibration mode by sending the command `CMODE OFF` or `CMODE 0` to the power supply.

**Current  
Readback  
Calibration  
Procedure**

1. Connect the current shunt and voltmeter to the power supply as shown in [Figure 4.2](#).
2. Activate calibration mode by sending command CMODE ON or CMODE 1 to the power supply.
3. Send command IRLO; VRLO to the power supply. Wait for the supply to settle. Measure and record the output voltage shown on the external voltmeter. Send IRLO again.
4. Send command IRHI; VRHI to the supply. Wait for the supply to settle. Measure and record the output voltage shown on the external voltmeter. Send IRHI again.
5. Calculate IRLO and IRHI from the voltages taken from the external voltmeter and the shunt resistance.  $I=V/R$ .
6. Send the command IRDAT <ilo>,<ihi> to the power supply. <ilo> and <ihi> are the current values obtained from sending the IRLO and IRHI commands to the power supply. When the power supply is calibrated, the low to high current readback calibration values are stored as constants.
7. Program the supply at various levels using the ISET command to confirm that the calibration was successful and that linearity is observed. Refer to the current readback accuracy specification in [Section 1](#).
8. Turn off calibration mode by sending the command CMODE OFF or CMODE 0 to the power supply.

## Calibration

### Over Voltage Protection (OVP) Calibration

## Over Voltage Protection (OVP) Calibration

We recommend that you perform OVP calibration every six months. Connecting a digital voltmeter as in [“Voltage Calibration Setup”](#) is optional.

1. Disconnect all loads from the power supply.
2. Ensure that jumper J95 on the interface PCB is CLOSED to enable remote OVP calibration (Jumper J95 is closed at the factory). See [Figure 2.3, RS-232 Interface PCB continued., p. 18](#) for the location on the PCB of jumper J95.
3. Activate calibration mode by sending command CMODE ON or CMODE 1 to the power supply.
4. Send the command OVCAL to the power supply. The ADDR LED will light during OVP calibration. Calibration is complete when the ADDR LED turns off. This may take a few minutes.
5. Use the OVSET, OVSET?, and VSET commands to trip the OVP level, confirming that the calibration was successful. When you trip the OVP level, the red OVP LED will light and the voltage will drop to zero. Send the command RST to clear the OVP condition. Refer to the OVP program accuracy specification in [Section 1](#).
6. Turn off calibration mode by sending the command CMODE OFF or CMODE 0 to the power supply.