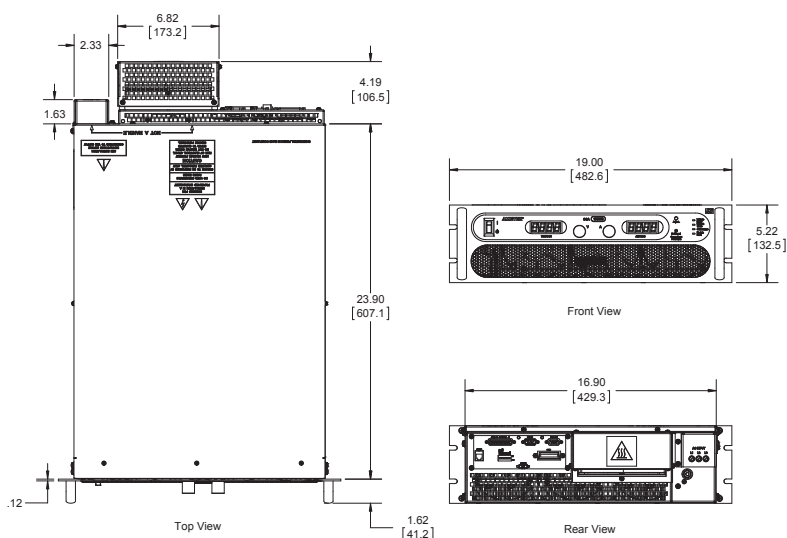
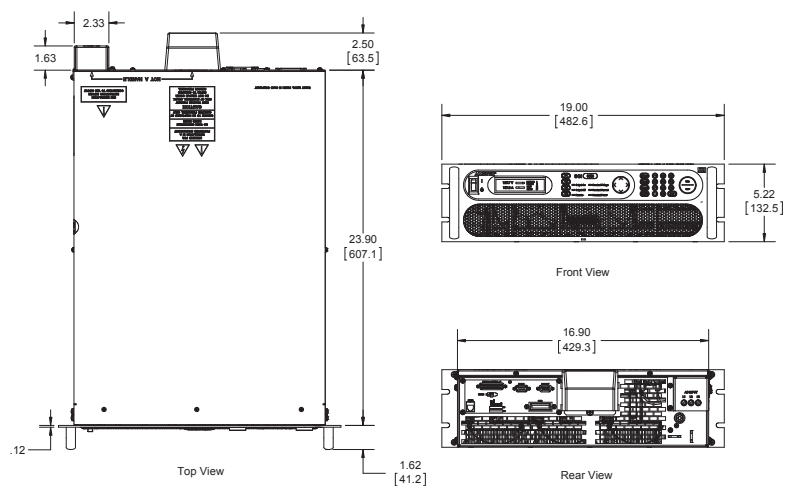


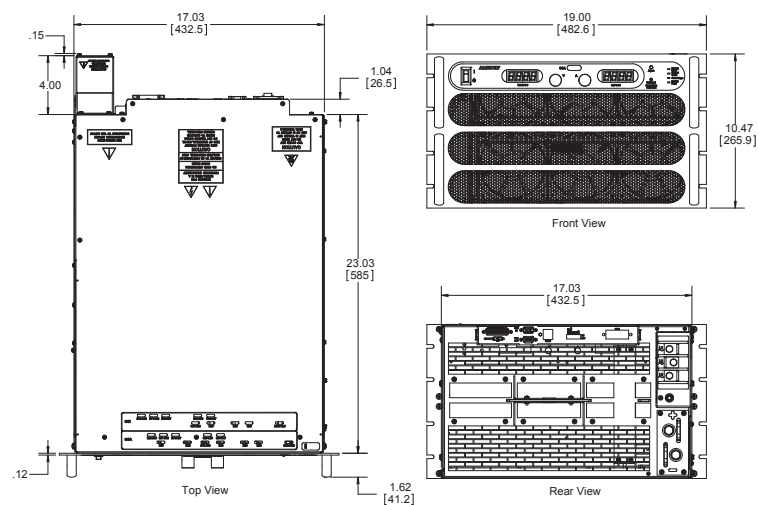
# SG Series : Product Diagram



**3U Case (10-30V)**



**3U Case (40-1000V)**



**6U Case (60-600V)**