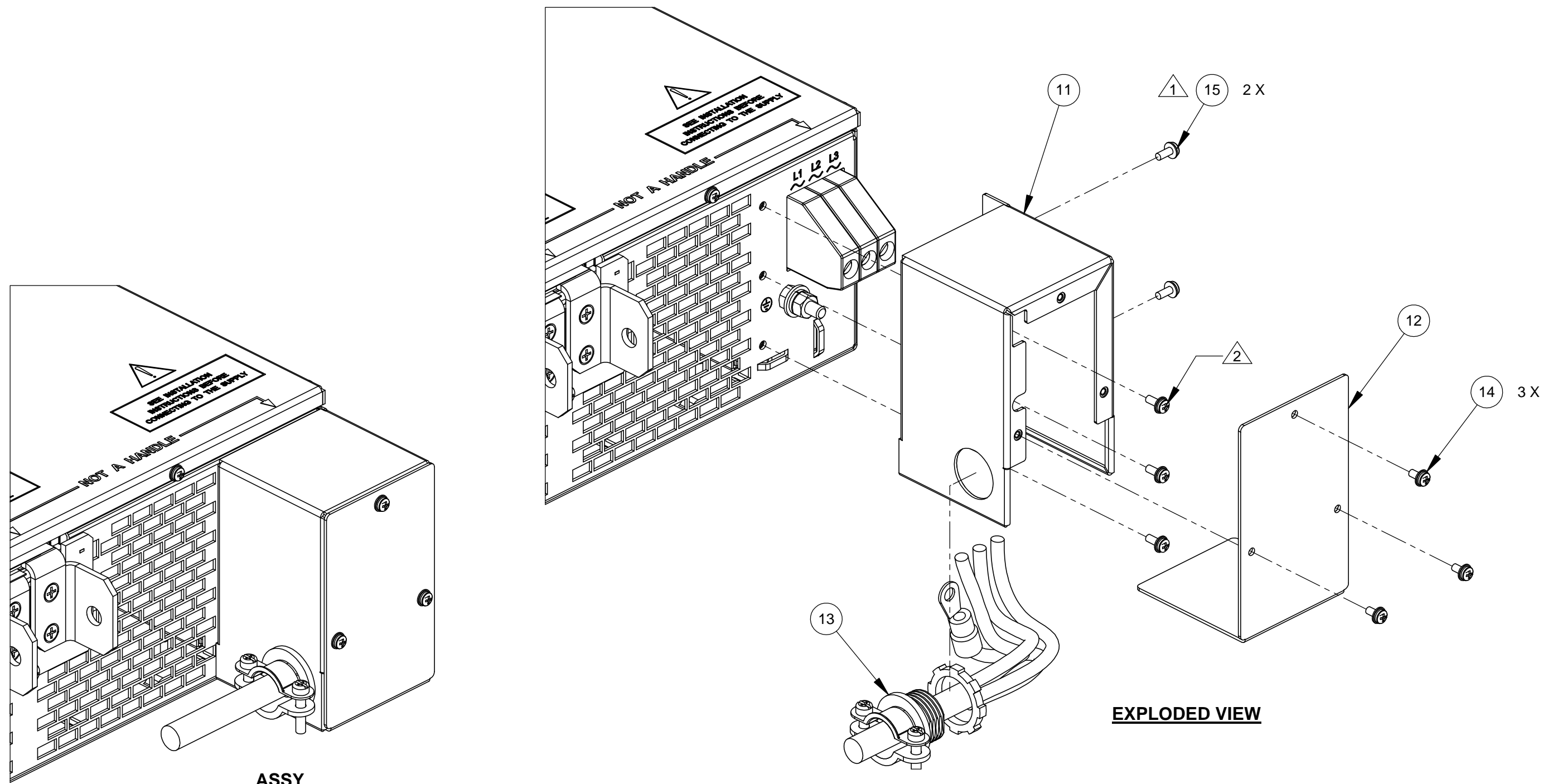


REVISIONS				
ZONE	REV.	DESCRIPTION	DATE	APPROVED
	A	INITIAL RELEASE, EC-004874	2/28/12	G. STAPP

INSTALLATION INSTRUCTION:

1. REMOVE TWO SIDE PANEL FLAT HEAD SCREWS, REPLACE WITH ITEM 15.
2. REMOVE PAN HEAD SCREWS AS SHOWN THEN INSTALL ITEM 11. SECURE COVER USING THE SAME FASTENERS.



ASSY

EXPLODED VIEW

		UNLESS OTHERWISE SPECIFIED DIMENSIONS ARE IN INCHES TOLERANCES ON		CONTRACT NO.			
		DECIMALS	FRACTIONS	ANGLES	FIRST MADE FOR:		
		.XX ± .03	± 1/32	± 1/2°	DRAWN	A. BIGORNIA	2/28/12
		.XXX ± .010			CHECKED	G. STAPP	2/28/12
		DO NOT SCALE THIS DRAWING			ENGINEER	A. BIGORNIA	2/28/12
NEXT ASSY.		SG		MATERIAL:	QA-REL		
		USED ON		SEE 5551082-01			
APPLICATION				FINISH:			
<small>THE INFORMATION DISCLOSED HEREIN WAS ORIGINATED BY AND IS THE PROPERTY OF ELGAR CORPORATION, AND EXCEPT FOR RIGHTS EXPRESSLY GRANTED TO THE UNITED STATES GOVERNMENT, ELGAR CORPORATION RESERVES ALL PATENT, PROPRIETARY, DESIGN, USE, SALE, MANUFACTURING AND REPRODUCTION RIGHTS THERETO.</small>				NA			
SIZE	CODE IDENT. NO.	DWG. NO.	REV				
B	25965	K551082	A				
SCALE 2:3		SHEET 1 OF 1					